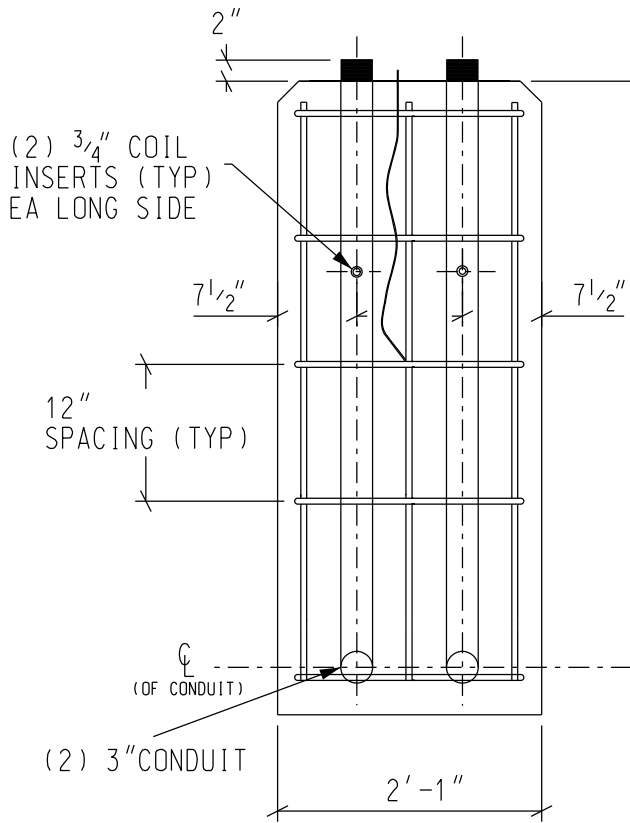
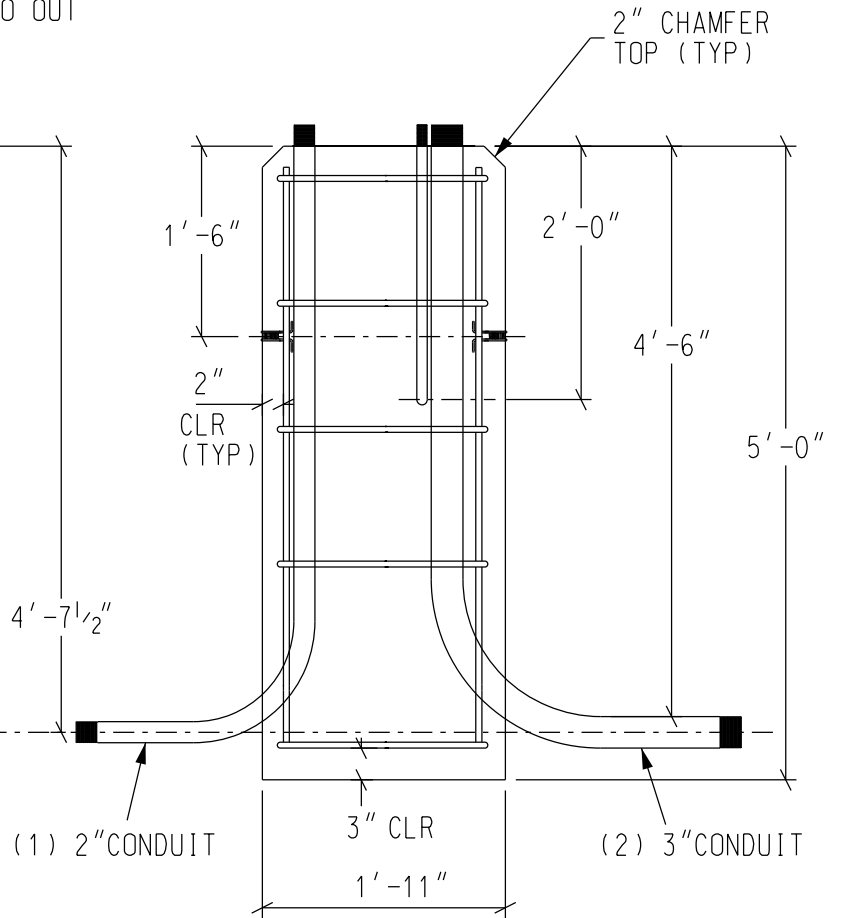


TOP VIEW



SIDE VIEW



SIDE VIEW

NOTES:

1. CONDUIT LAYOUT SUPPLIED BY CONTRACTOR
2. ANCHOR BOLTS SUPPLIED AND FIELD INSTALL BY CONTRACTOR
3. ALL REBAR SHALL BE ASTM A615 GR.60
4. CONCRETE STRENGTH  $f'_c = 6500$  PSI
5. CONAC 3/4" COIL INSERT C63C075312, SWL 3400 LBS, 4 PLCS

**PCC**

Pre-Cast Concrete Company

11400 Lang Street  
Anchorage, Ak, 99515  
PH (907) 348-6730 FAX (907) 348-6734

**TYPE 1A LOAD CENTER**  
**(23"x 25"x 60")**

CUSTOMER:

SENT BY:

C.P.

DATE:

2/28/2025

SHT. 22001-8

1 OF 1