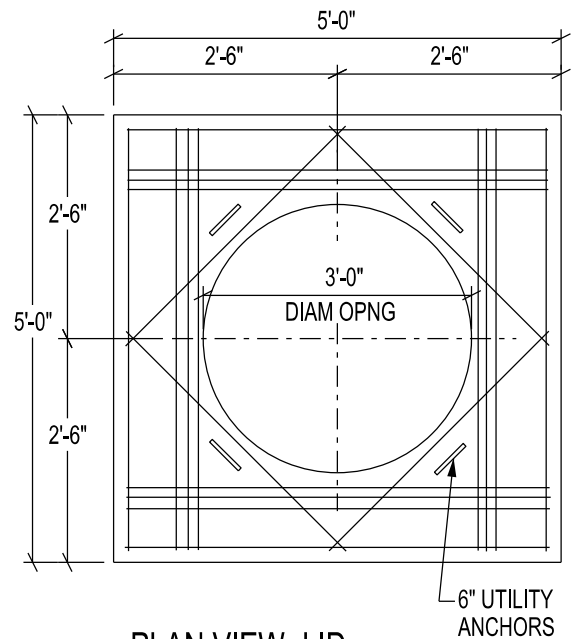
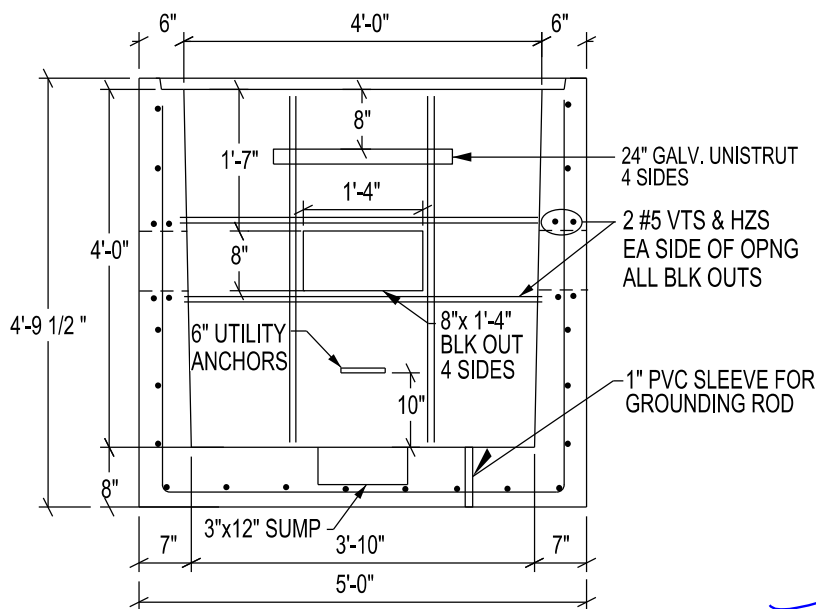
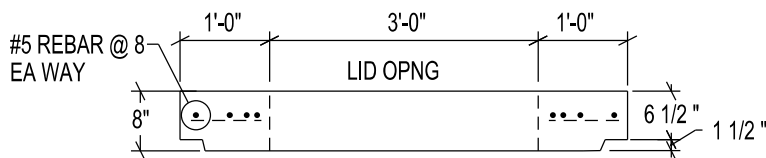


PLAN VIEW- BASE



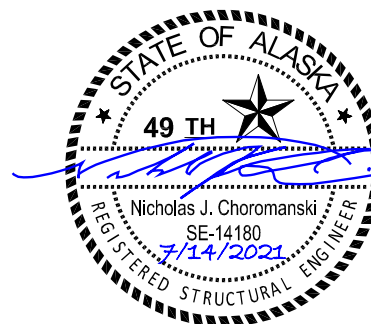
PLAN VIEW- LID



SECTION - VAULT

NOTES:

- 1.) ALL REBAR SHALL BE ASTM A615 GR.60
- 2.) VAULT & LID REBAR #5 @ 8 O.C. E.W.
- 3.) CONCRETE SHALL BE f'c 6500 PSI MIX
- 4.) VAULT WGT = 7300 LBS
- 5.) LID WGT = 1600 LBS
- 6.) HS-20-44 (WITH 30% IMPACT FACTOR) RATED
- 7.) LIFTING ANCHORS SHALL BE CONAC 6" A-ANCHOR INSERTS 6C818, SWL 7500 LBS



PCC

Pre-Cast Concrete Company

11400 Lang Street
Anchorage, Ak, 99515
PH (907) 348- 6730 FAX (907) 348-6734

H2O 4x4 VAULT

SENT BY: _____

DATE: 7/13/2021

SHT. 1 OF 1