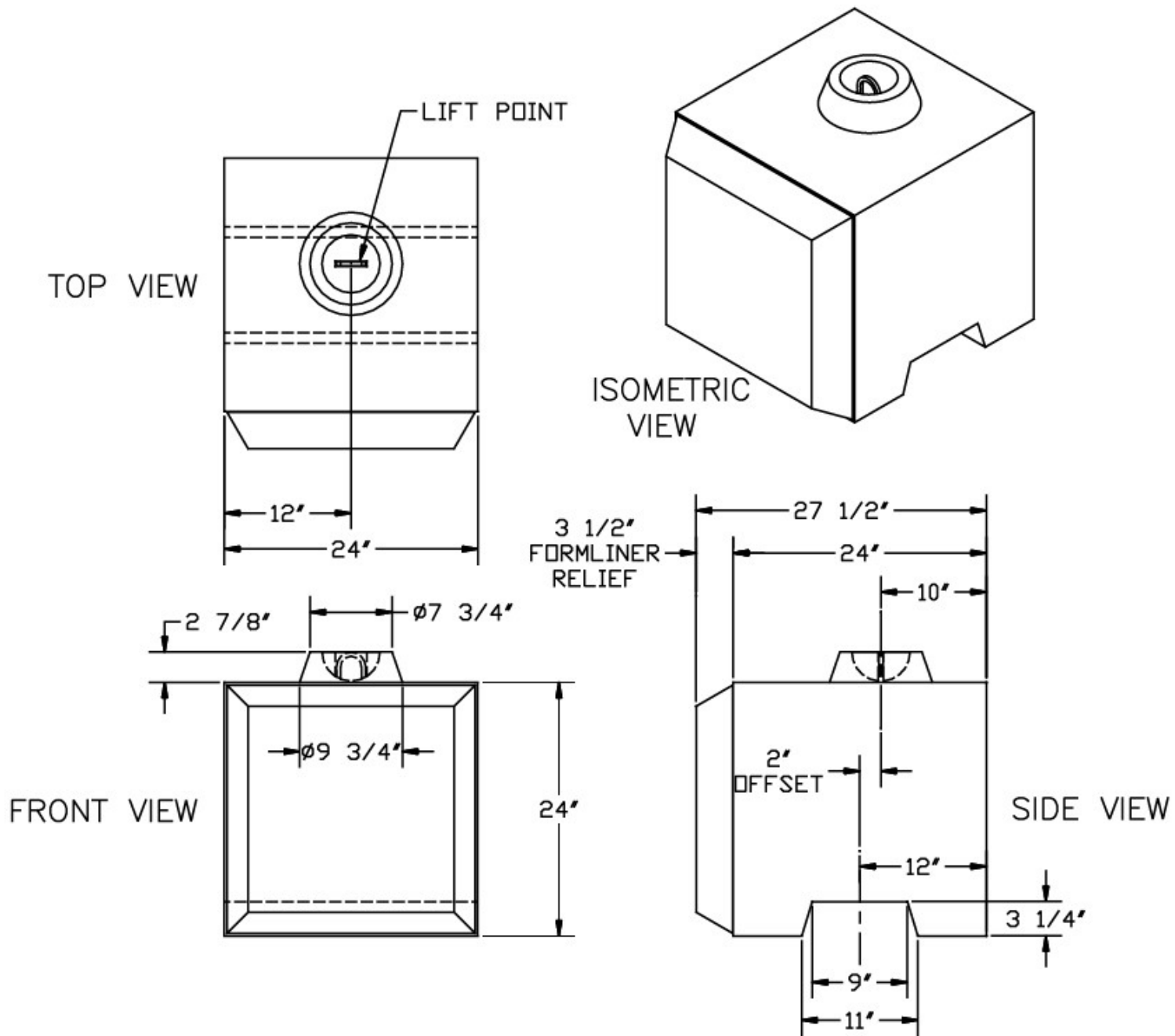


# LANDSCAPE HALF BLOCK - STRAIGHT ENDS



WEIGHT: 1,295 Lbs.  
VOLUME: 8.64 Cft