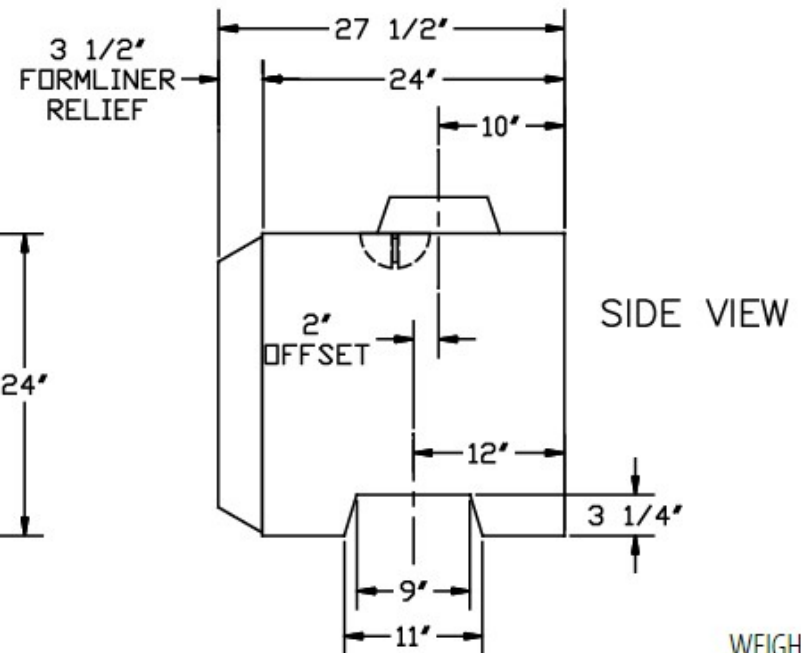
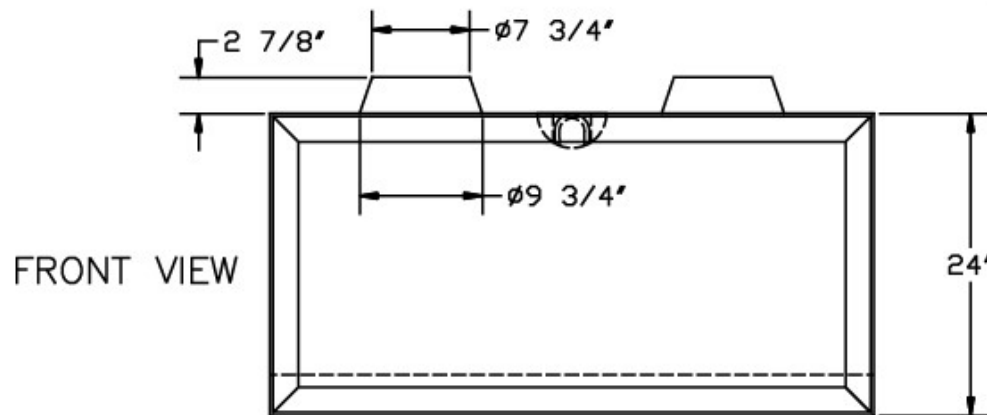
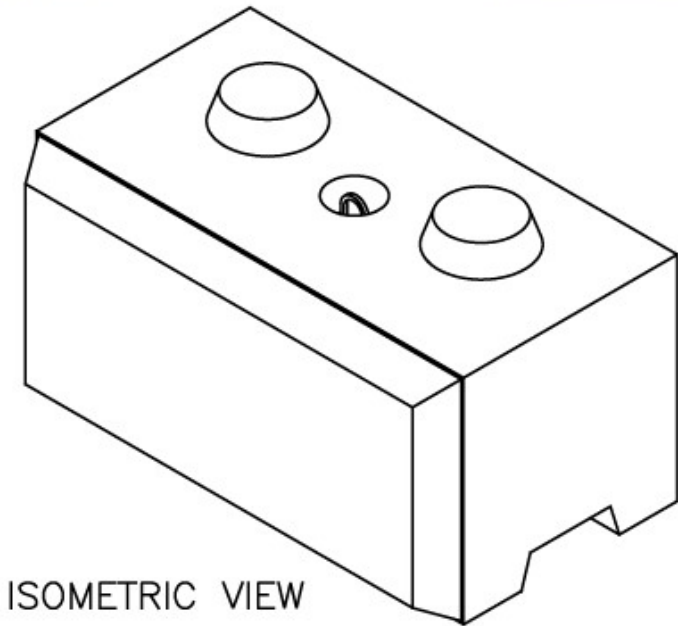
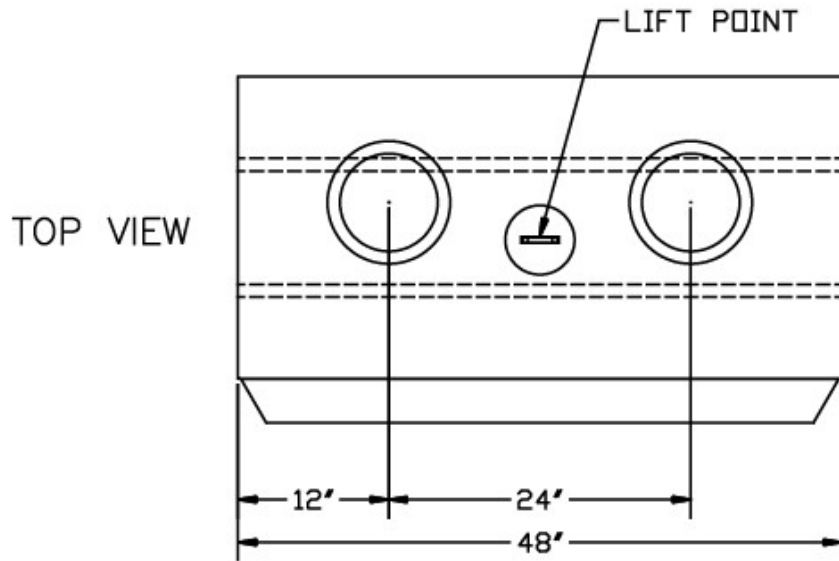


# LANDSCAPE FULL BLOCK - STRAIGHT ENDS



WEIGHT: 2,590 Lbs.  
VOLUME: 17.27 Cft