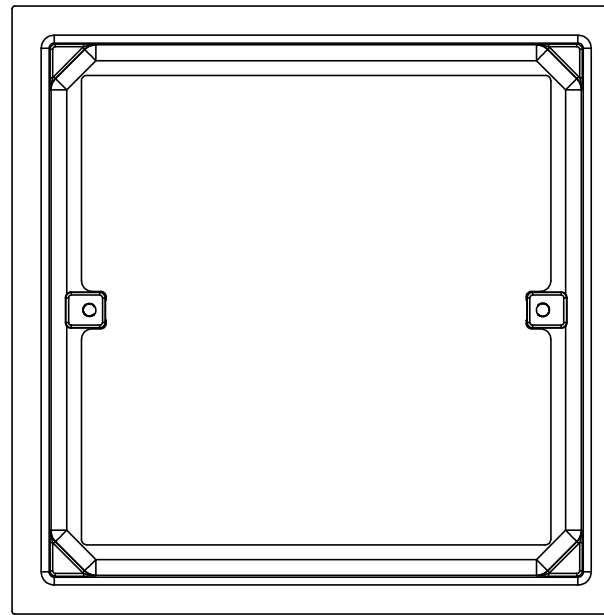
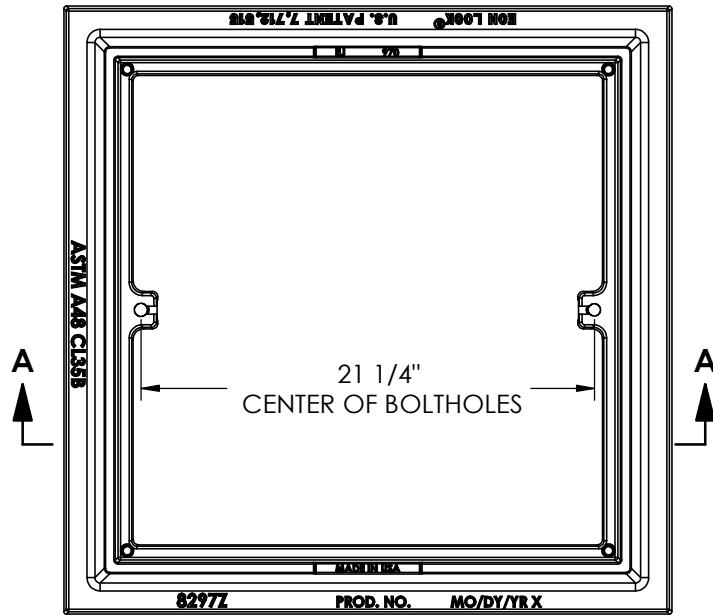


8297Z Junction Box / Handhole Frame



BOTTOM VIEW

Product Number

00829710

Design Features

- Materials
Gray Iron (CL35B)
- Design Load
Extra Heavy Duty
- Open Area
n/a
- Coating
Dipped
- √ Designates Machined Surface

Certification

- ASTM A48
-
- Country of Origin: USA

Drawing Revision

- 4/19/2005 Designer: DEW
- 1/16/2015 Revised By: DAE

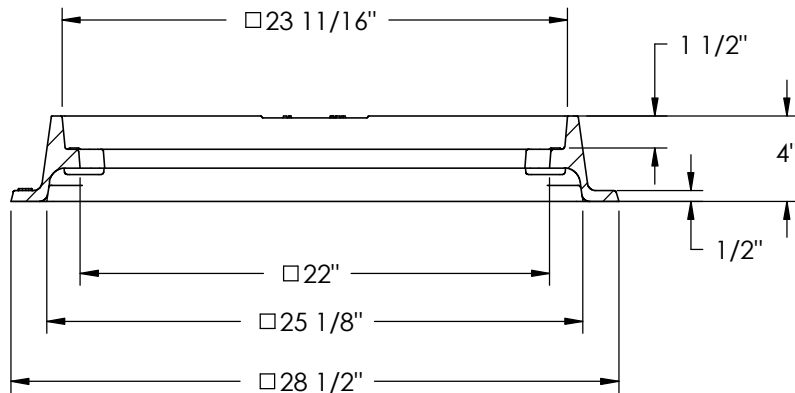
Disclaimer

Weights (lbs/kg), dimensions (inches/mm) and drawings provided for your guidance. We reserve the right to modify specifications without prior notice.

CONFIDENTIAL: This drawing is the property of EJ Group, Inc. and embodies confidential information, registered marks, patents, trade secret information, and/or know how that is the property of EJ Group, Inc. Copyright © 2013 EJ Group, Inc. All rights reserved.

Contact

800 626 4653
ejco.com



SECTION A-A