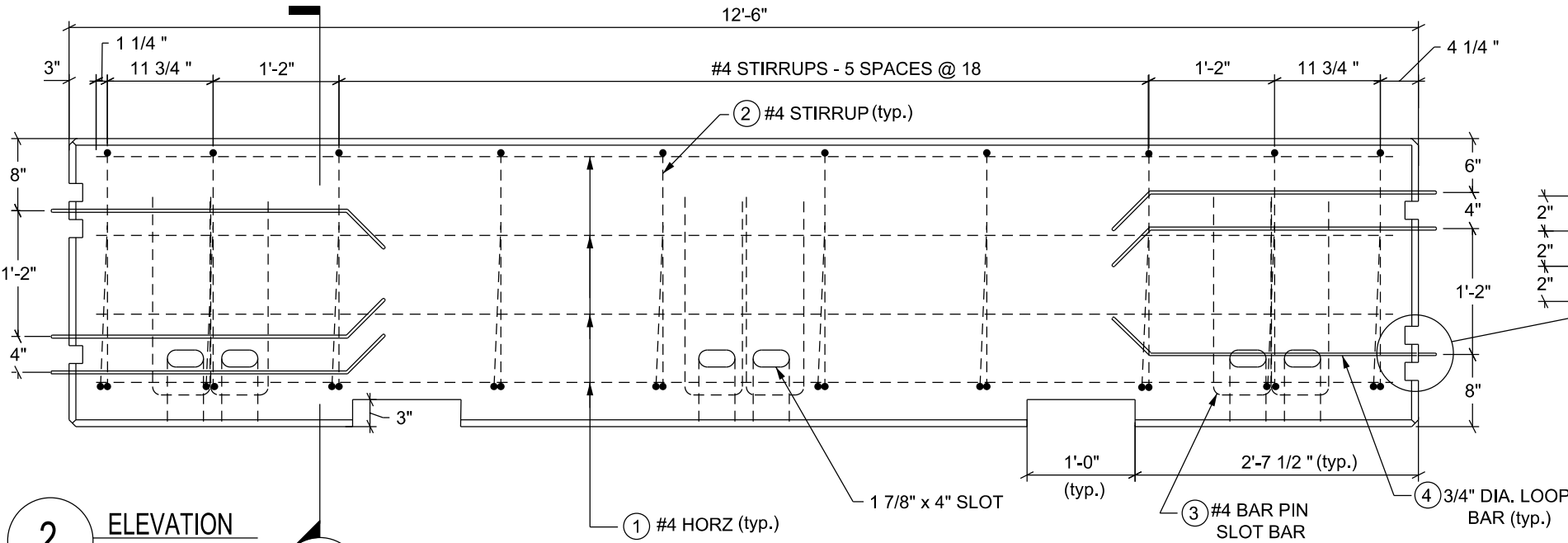
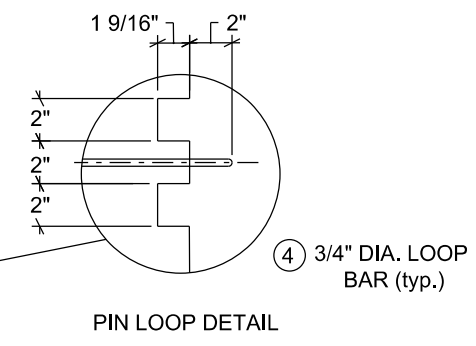


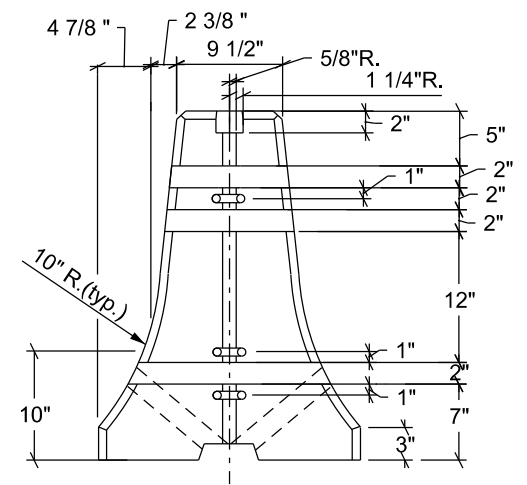
1 TOP VIEW
LONGITUDINAL BARS NOT SHOWN FOR CLARITY



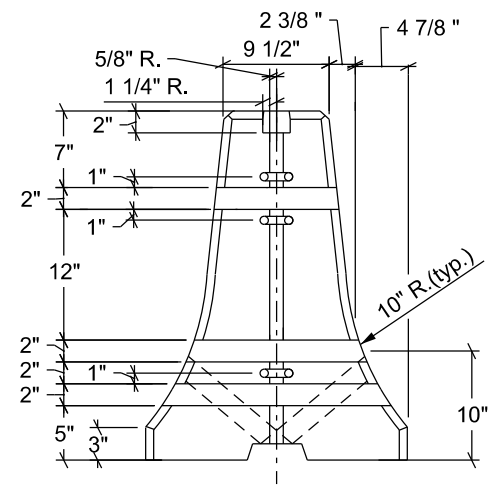
2 ELEVATION



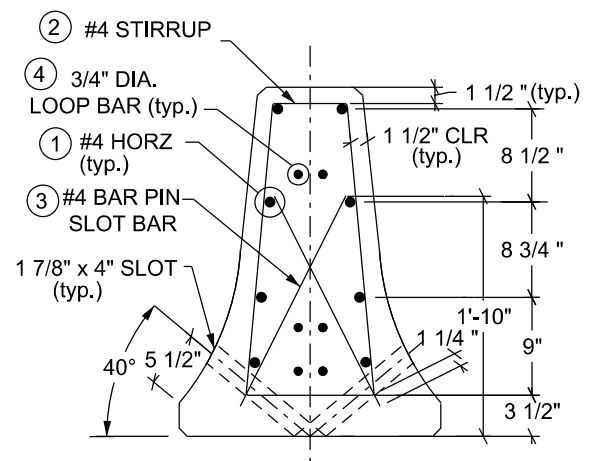
PIN LOOP DETAIL



A END VIEW - A



B END VIEW - B



C SECTION

PCC
Pre-Cast Concrete Company

11400 Lang Street
Anchorage, Ak, 99515
PH (907) 348-6730 FAX (907) 348-6734

PROJECT: **MASH "F" SHAPE CONCRETE BARRIERS**

CONTRACTOR:

DRAWN BY: J.S.

DATE: 7/20/2021 DWG NO. 1 OF 1