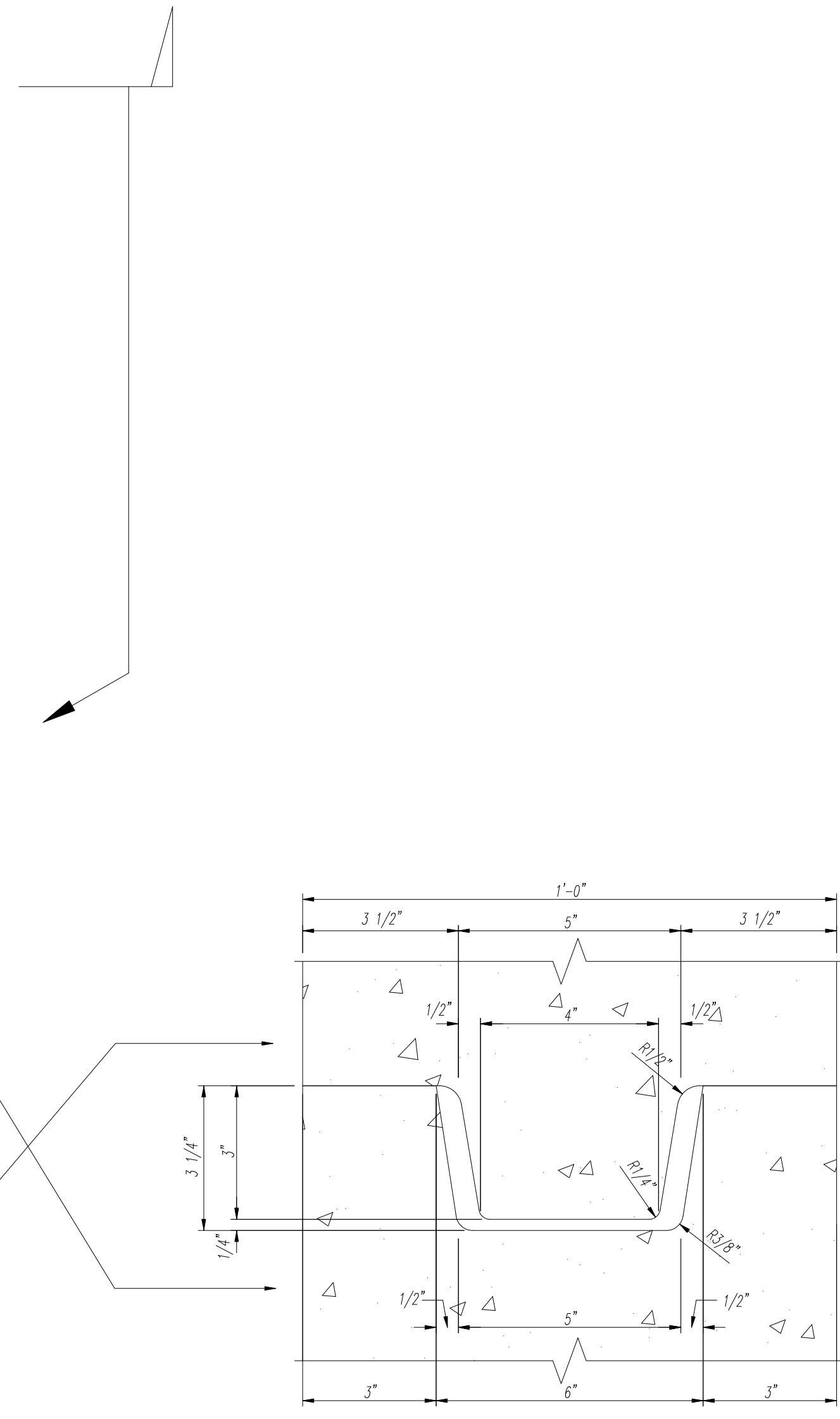
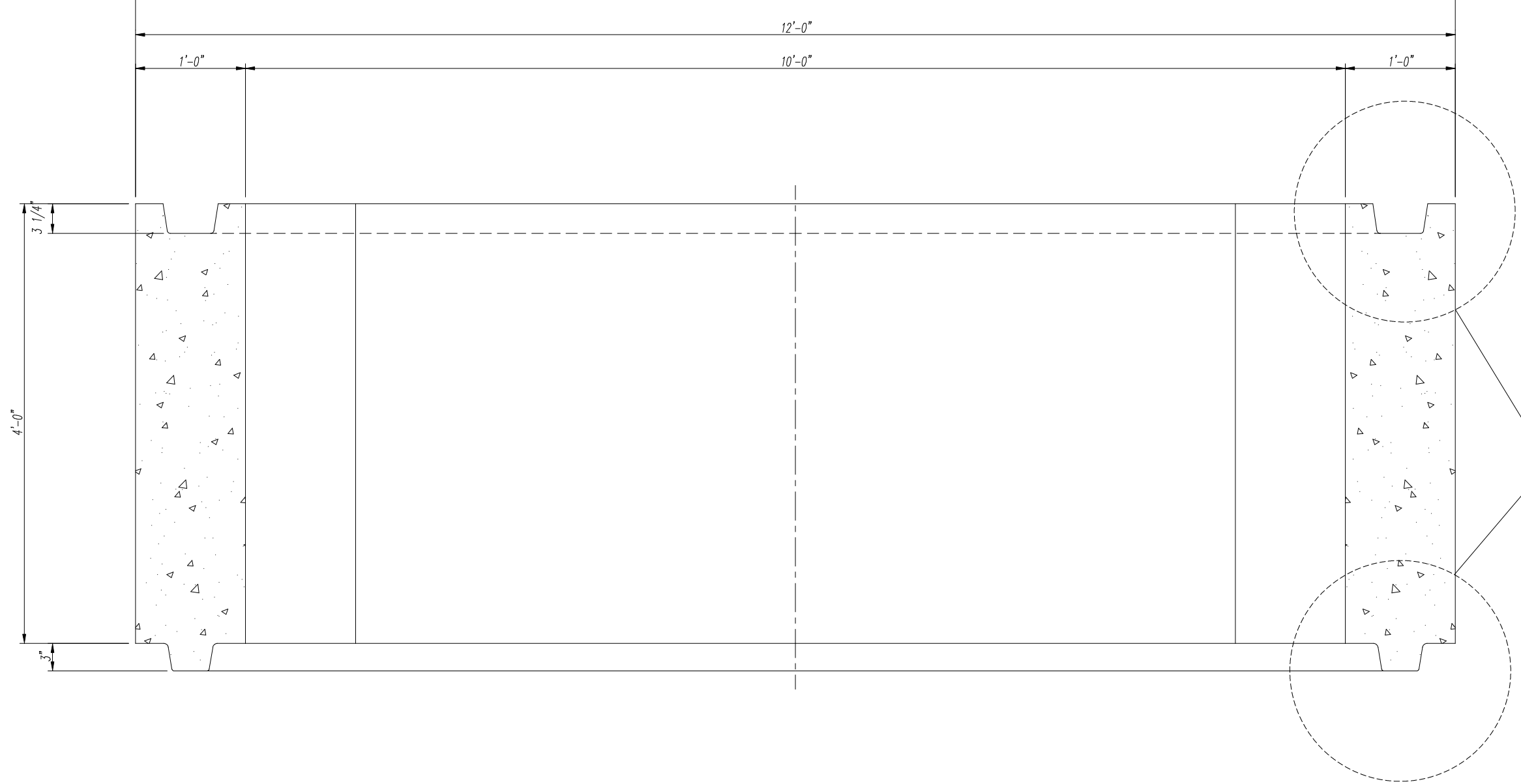


PLAN VIEW - CASTING AS POURED



CUSTOMER NOTE:
 FORM DIMENSIONAL INTEGRITY MAY BE COMPROMISED DUE
 TO METAL FATIGUE BROUGHT ON BY EXTERNAL VIBRATION
 WHEN NO CONCRETE IS PRESENT TO BUFFER THE SHOCKWAVES.

**APPROVED FOR
 FABRICATION**

RELEASED FOR FABRICATION: 02/14/11

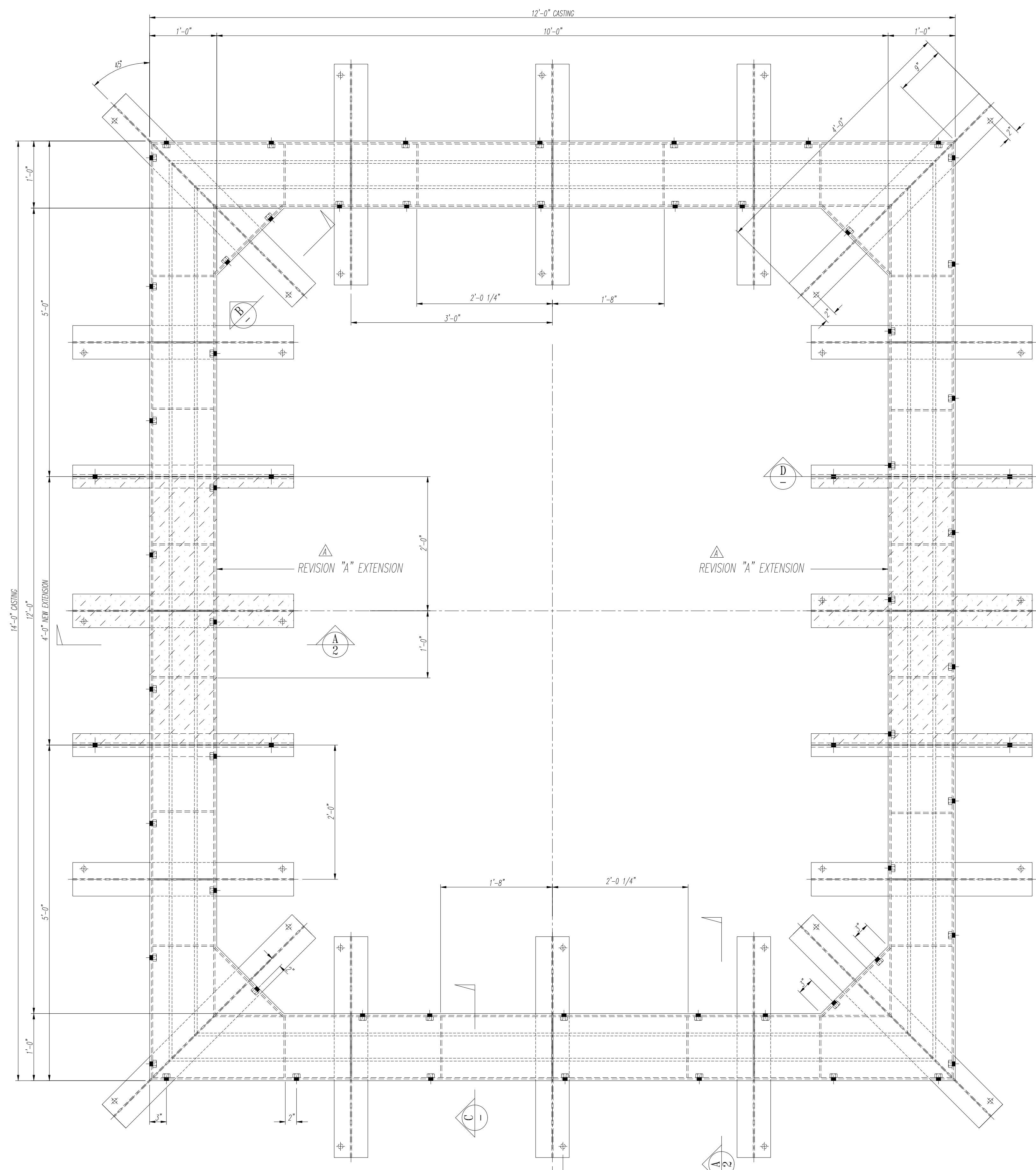
| NO. | DATE | REVISION | BY |
|-----|---------|--|-----|
| A | 3/23/11 | CORRECT CASTING LENGTH TO 14' FROM 10' | RVR |

THIS DRAWING IS THE PROPERTY OF HELSER INDUSTRIES. IT IS LOANED WITH THE UNDERSTANDING THAT IT MAY NOT BE REPRODUCED IN WHOLE OR IN PART OR USED IN ANY WAY INJURIOUS TO THE INTEREST OF HELSER INDUSTRIES

HELSEY INDUSTRIES
 P.O. Box 1569, 10750 S.W. Tuolumne Road, Tuolumne, Or. 97062
 Phone: (503) 692-6909 FAX: (503) 692-1666
 Email: engineering@helsel.com

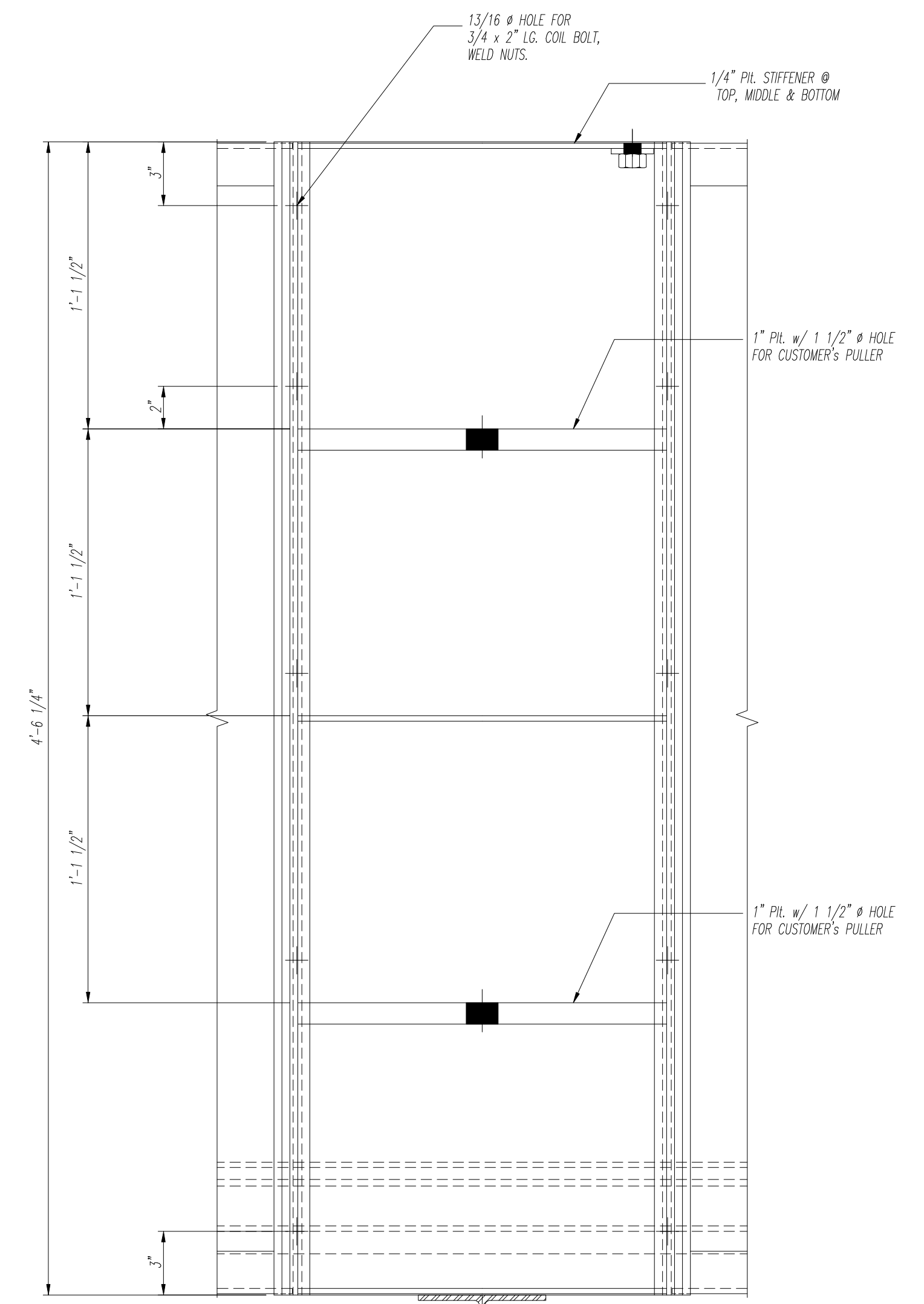
12' x 10' BOX CULVERT FORM x 4' LAY LENGTH
 ANCHORAGE SAND AND GRAVEL, CO.
 ANCHORAGE ALASKA U.S.A.

| Scale: | AS SHOWN | Date | Drawing Number |
|--------------|------------|----------|----------------|
| Drawn By: | R. RIFFEL | 02/04/11 | Rev 1 |
| Checked By: | C. STANTON | 02/14/11 | 11-64 |
| Designed By: | - | - | A 3 |

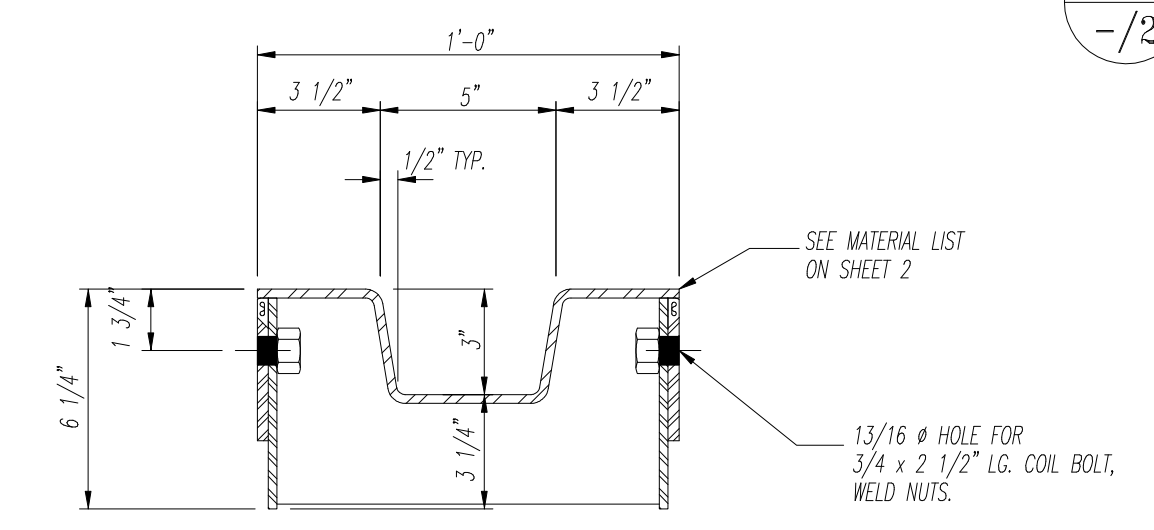


PLAN VIEW - BASE SOFFIT
(1) REO'D.

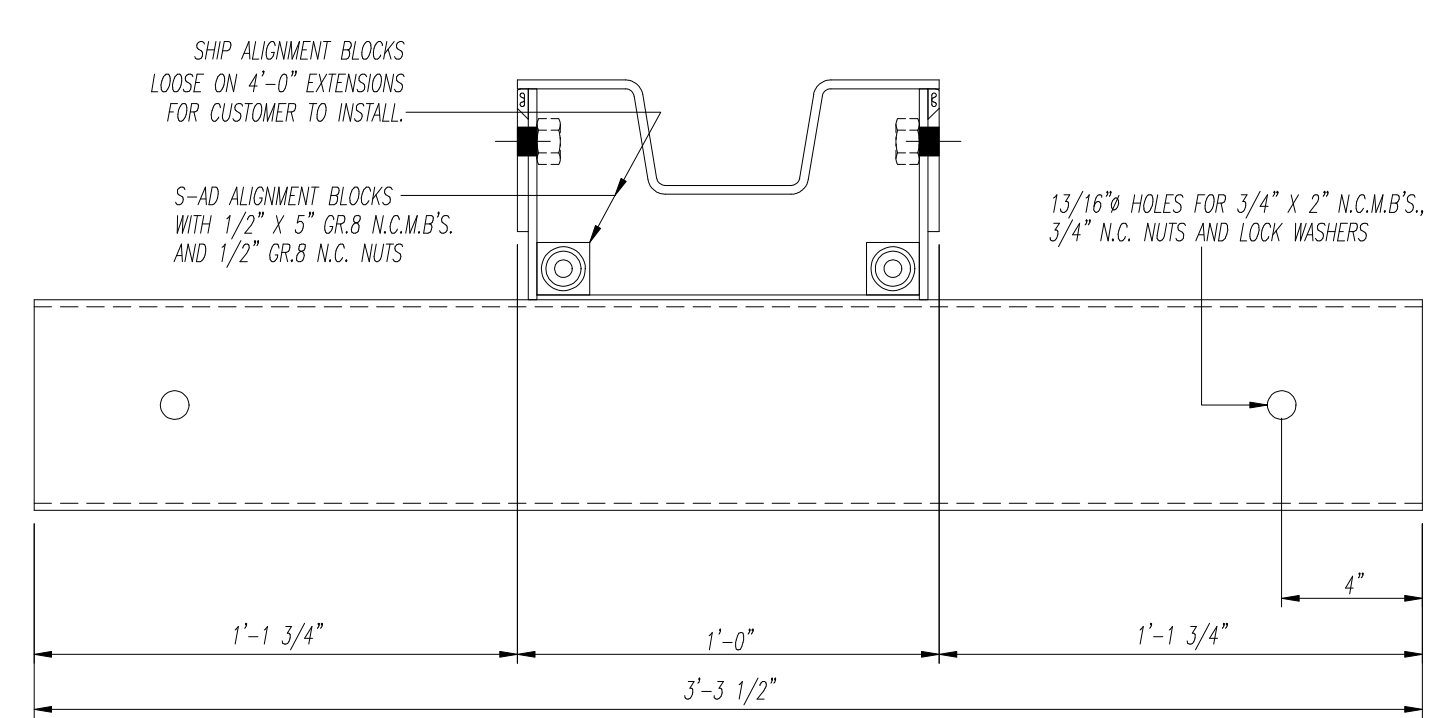
BUILD REVISION "A" EXTENSION PARTS ONLY PER PARTS LIST ON SHEET 2.



B VIEW
-/2



C SECTION



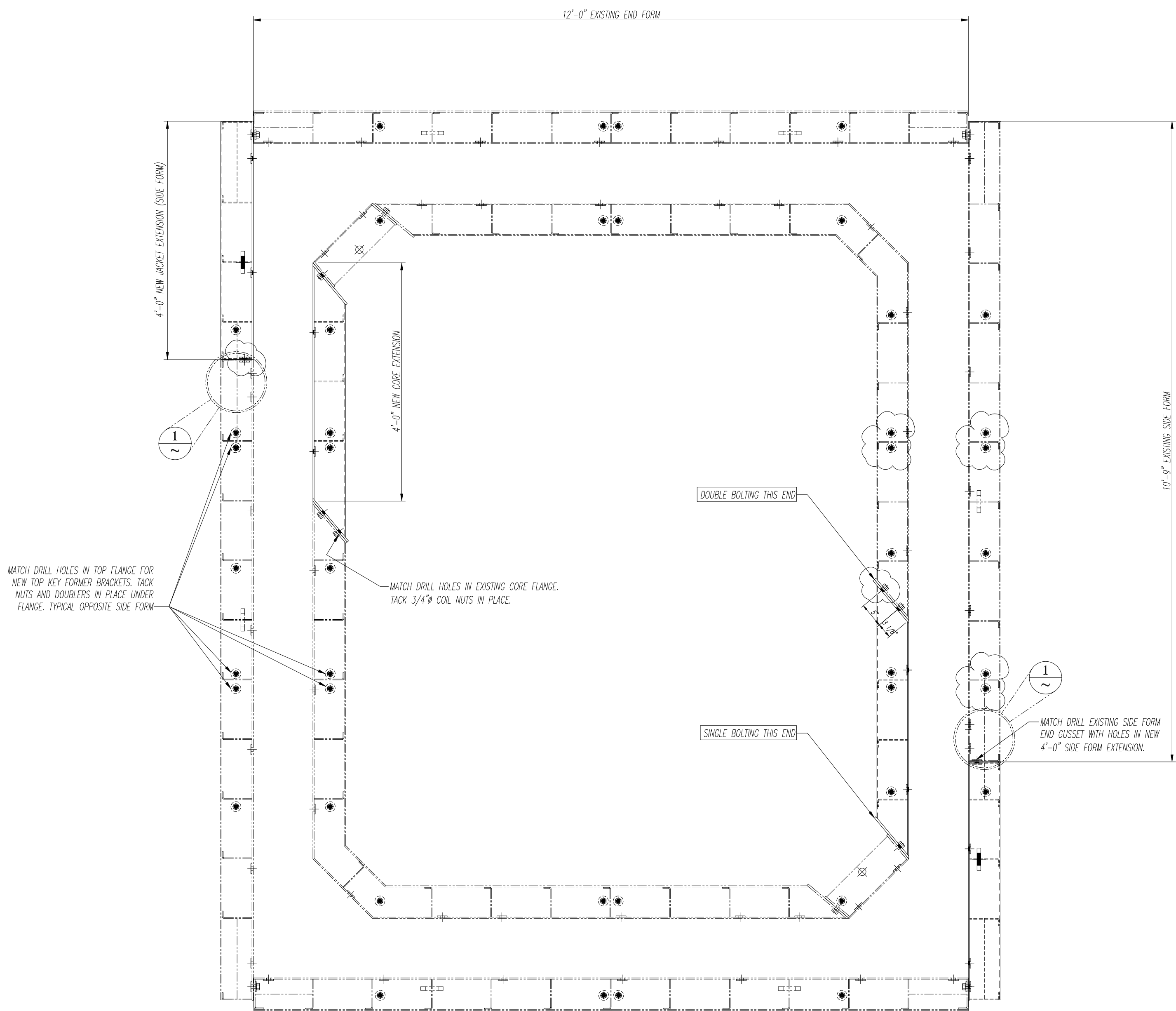
D VIEW

CUSTOMER NOTE:
FORM DIMENSIONAL INTEGRITY MAY BE COMPROMISED DUE TO METAL FATIGUE BROUGHT ON BY EXTERNAL VIBRATION WHEN NO CONCRETE IS PRESENT TO BUFFER THE SHOCKWAVES.

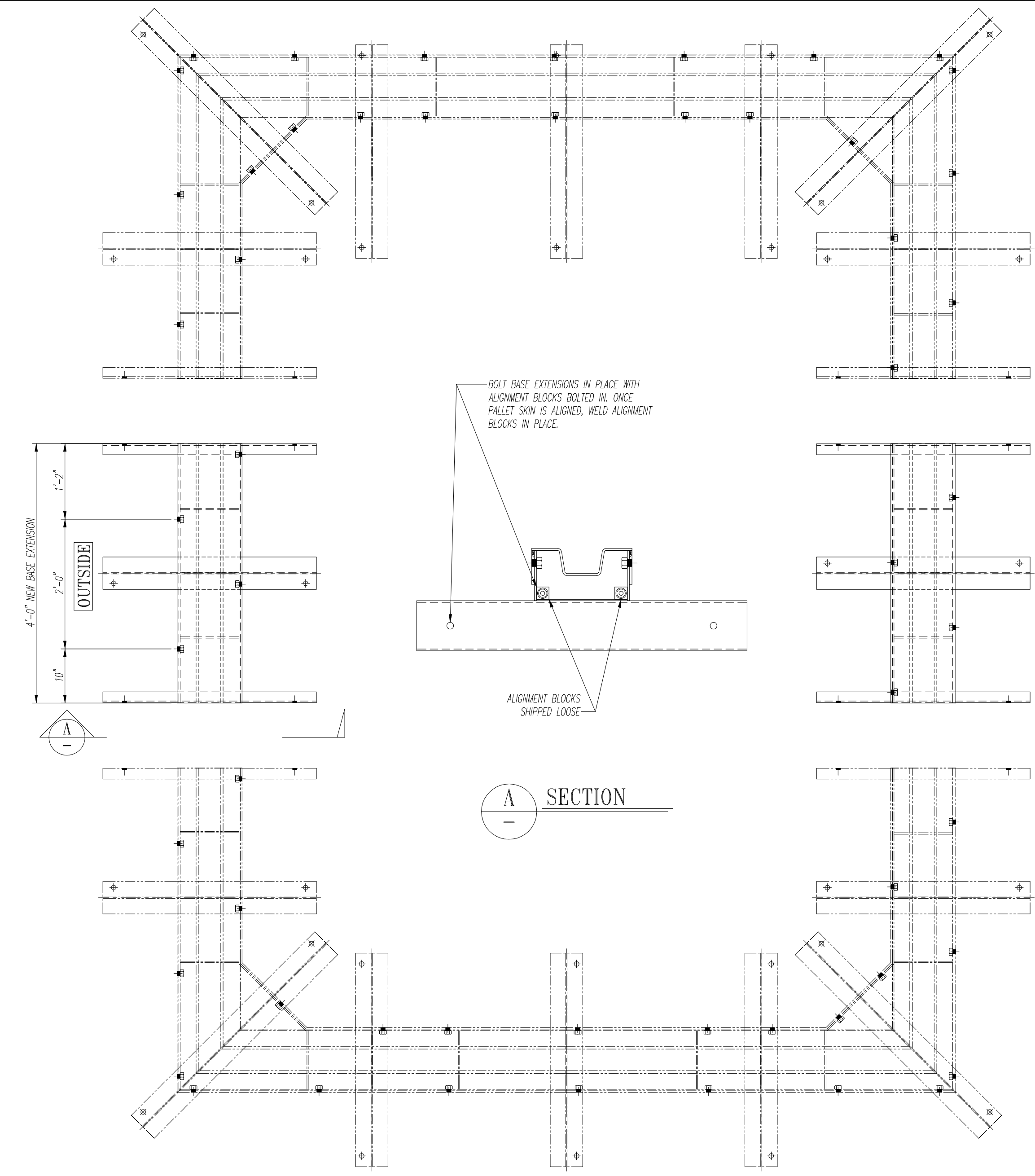
APPROVED FOR FABRICATION

RELEASED FOR FABRICATION: 02/14/11

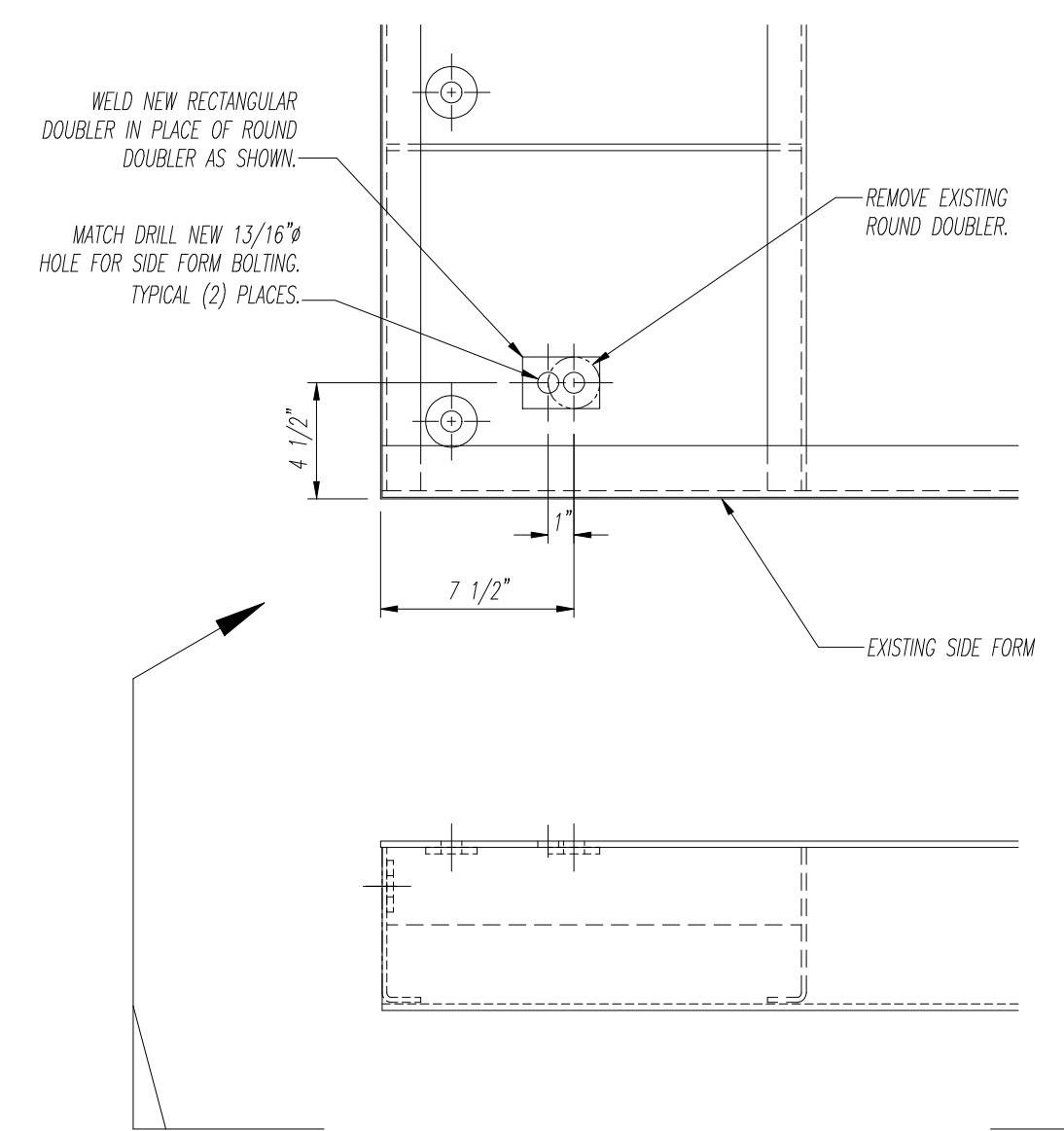
| | | | |
|---|------------|---|----------------|
| A | 3/23/11 | ADD FORM PARTS TO MAKE 14' LG. BOX FROM 10' | RVR |
| NO. | DATE | REVISION | BY |
| THIS DRAWING IS THE PROPERTY OF HELSER INDUSTRIES. IT IS LOANED WITH THE UNDERSTANDING THAT IT MAY NOT BE REPRODUCED IN WHOLE OR IN PART OR USED IN ANY WAY INJURIOUS TO THE INTEREST OF HELSER INDUSTRIES. | | | |
| HELSEr INDUSTRIES | | | |
| P.O. Box 1568, 10750 S.W. Tualatin Road, Tualatin, Or. 97062 Phone: (503) 692-6909 FAX: (503) 692-1666 Email: engineering@helsers.com | | | |
| 12' x 10' BOX CULVERT FORM x 4' LAY LENGTH | | | |
| ANCHORAGE SAND AND GRAVEL, CO. U.S.A. | | | |
| Scale: | AS SHOWN | Date | Drawing Number |
| Drawn By: | R. RIFFEL | 02/04/11 | Rev 3 |
| Checked By: | C. STANTON | 02/14/11 | 11-64 |
| Designed By: | - | - | A 3 |



PLAN VIEW - JACKETS AND CORE



PLAN VIEW - BASE FRAME



1 DETAIL

CUSTOMER NOTE:
FORM DIMENSIONAL INTEGRITY MAY BE COMPROMISED DUE TO METAL FATIGUE BROUGHT ON BY EXTERNAL VIBRATION WHEN NO CONCRETE IS PRESENT TO BUFFER THE SHOCKWAVES.

APPROVED FOR FABRICATION

| NO. | DATE | REVISION | BY |
|-----|------|----------|----|
| | | | |

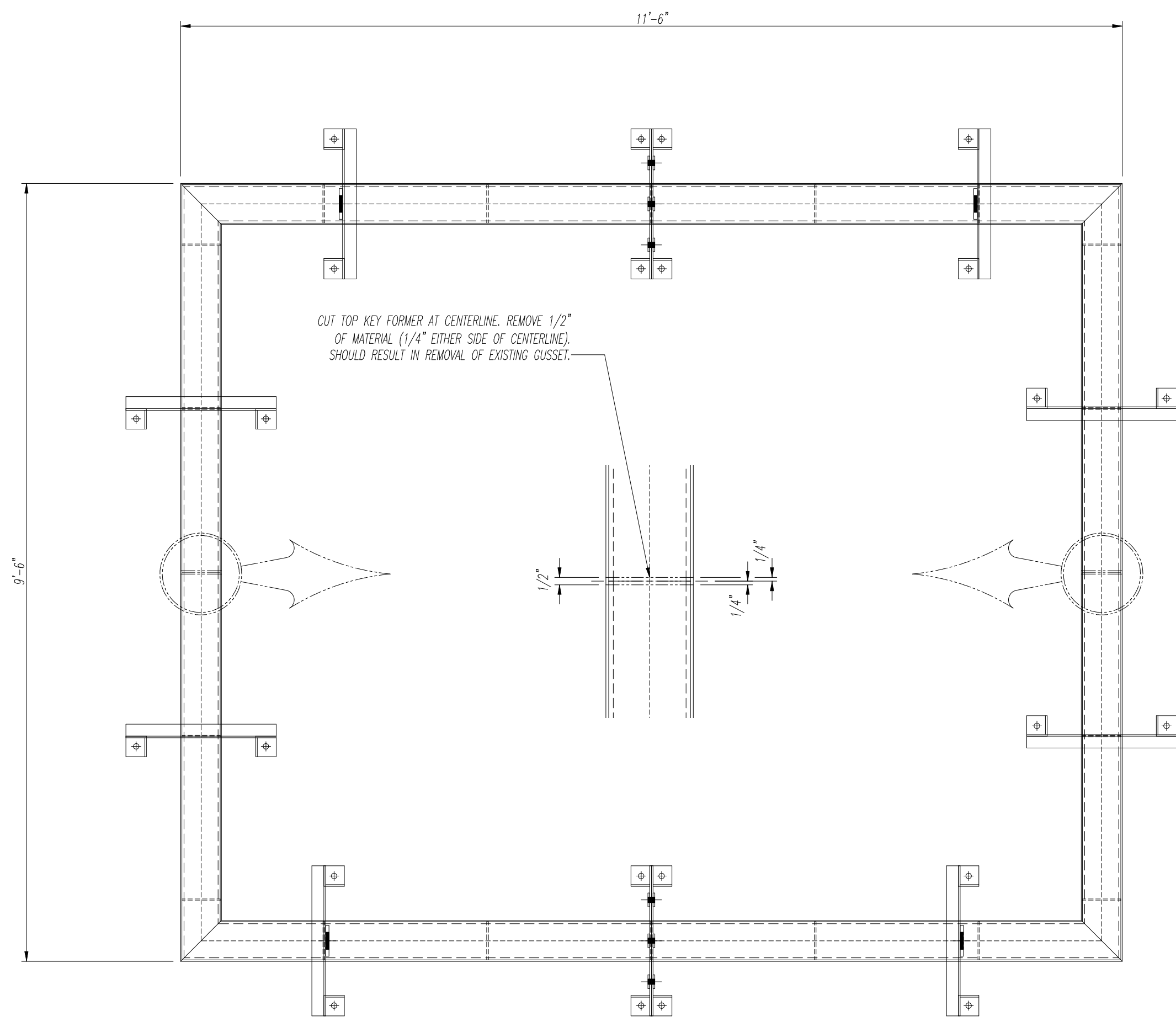
THIS DRAWING IS THE PROPERTY OF HELSER INDUSTRIES. IT IS LOANED WITH THE UNDERSTANDING THAT IT MAY NOT BE REPRODUCED IN WHOLE OR IN PART OR USED IN ANY WAY INJURIOUS TO THE INTEREST OF HELSER INDUSTRIES

HELSEr INDUSTRIES
 P.O. Box 1568, 10750 S.W. Tuolumne Road, Tuolumne, Or. 97062
 Phone: (503) 692-6909 FAX: (503) 692-1666
 Email: engineering@helsers.com

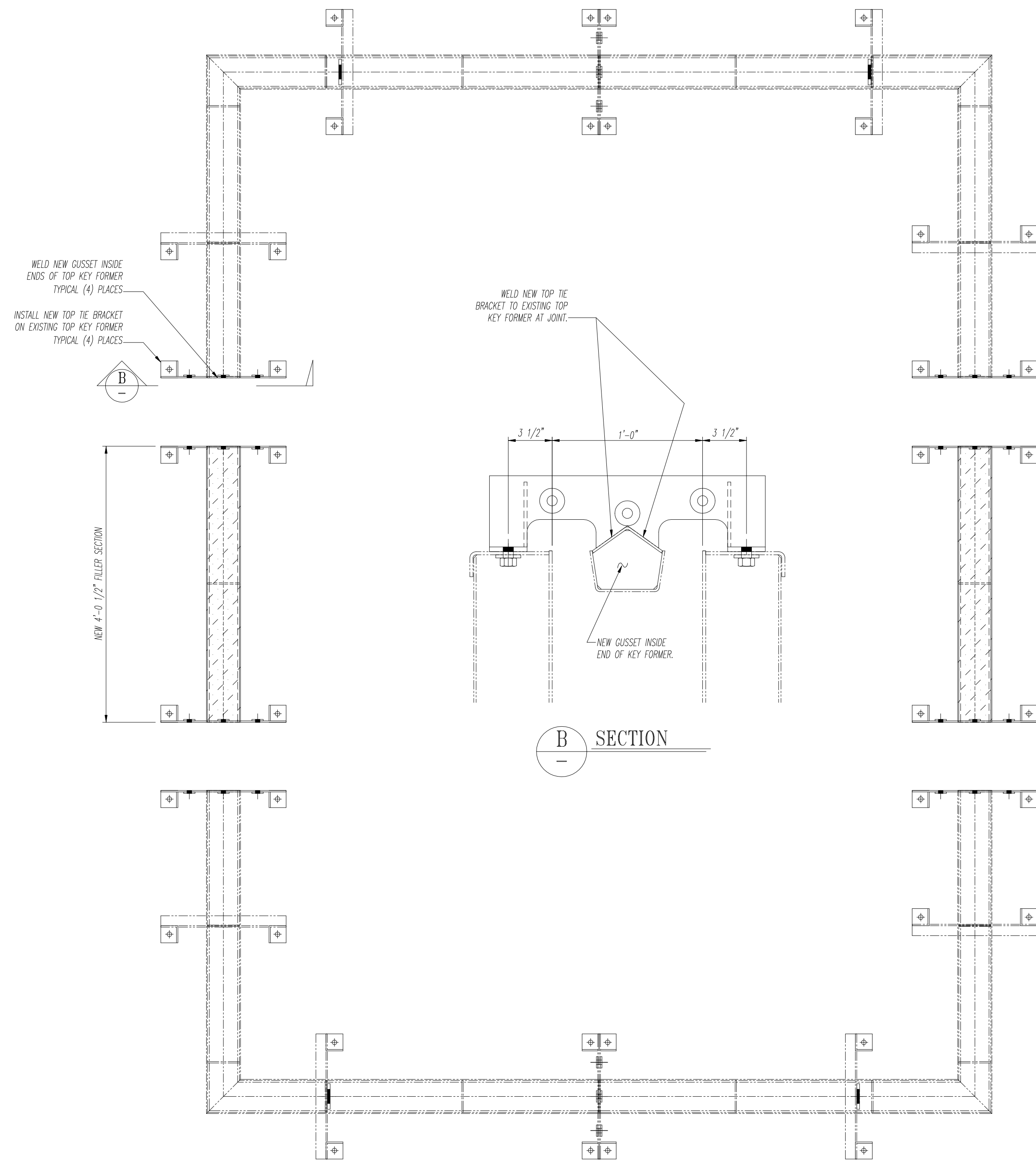
MODIFY 12' x 10' BOX CULVERT

ANCHORAGE SAND AND GRAVEL, CO. U.S.A.

| Scale: | AS SHOWN | Date | Drawing Number |
|--------------|---------------|----------|----------------|
| Drawn By: | C. STANTON | 04/18/11 | Rev 1 |
| Checked By: | CHRIS STANTON | 04/20/11 | 11-64 |
| Designed By: | - | - | 0 |



PLAN VIEW - TOP KEY FORMER
EXISTING - BEFORE MODIFICATION



PLAN VIEW - TOP KEY FORMER
AFTER MODIFICATION

FORM MODIFICATION STEPS

- 1) SETUP BASE FORM WITH EXTENSIONS.
- 2) INSTALL CORE EXTENSIONS.
- 3) INSTALL JACKET EXTENSIONS.
- 4) CUT TOP KEY FORMER AND INSTALL EXTENSIONS.

CUSTOMER NOTE:
FORM DIMENSIONAL INTEGRITY MAY BE COMPROMISED DUE TO METAL FATIGUE BROUGHT ON BY EXTERNAL VIBRATION WHEN NO CONCRETE IS PRESENT TO BUFFER THE SHOCKWAVES.

APPROVED FOR FABRICATION

| | | | |
|---|---------------|----------|----------------|
| NO. | DATE | REVISION | BY |
| | | | |
| THIS DRAWING IS THE PROPERTY OF HELSER INDUSTRIES. IT IS LOANED WITH THE UNDERSTANDING THAT IT MAY NOT BE REPRODUCED IN WHOLE OR IN PART OR USED IN ANY WAY INJURIOUS TO THE INTEREST OF HELSER INDUSTRIES. | | | |
| HELSEL INDUSTRIES P.O. Box 1568, 10750 S.W. Tuolumne Road, Tuolumne, Or. 97062 Phone: (503) 692-6909 FAX: (503) 692-1666 Email: engineering@helsel.com | | | |
| MODIFY 12' x 10' BOX CULVERT FORM | | | |
| ANCHORAGE SAND AND GRAVEL, CO. U.S.A. | | | |
| Scale: | AS SHOWN | Date | Drawing Number |
| Drawn By: | C. STANTON | 04/18/11 | Rev 2 |
| Checked By: | CHRIS STANTON | 04/20/11 | 11-64 |
| Designed By: | - | - | 0/2 |