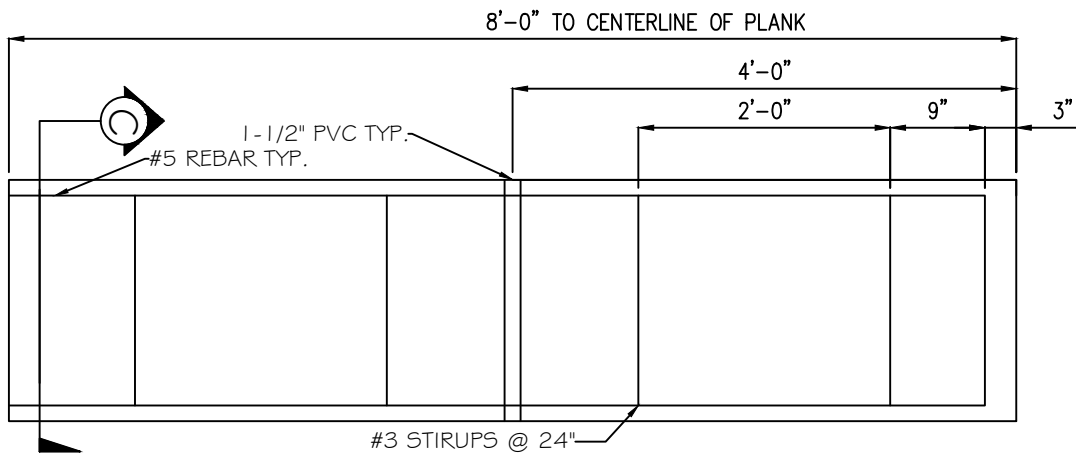


© CONCRETE PLANK SECTION PLAN



○ CONCRETE PLANK TOP PLAN

PRECAST
CONCRETE

11360 LANG STREET
 ANCHORAGE, AK 99515
 Ph. 907-344-6449 Fax: 907-349-2213

SALAMATOF PLANKS

Designed	Date	Scale:
Drawn	Dane Smullick 8/31/20	Drawing No.
Checked		
Approved		Sheet 1 of 1