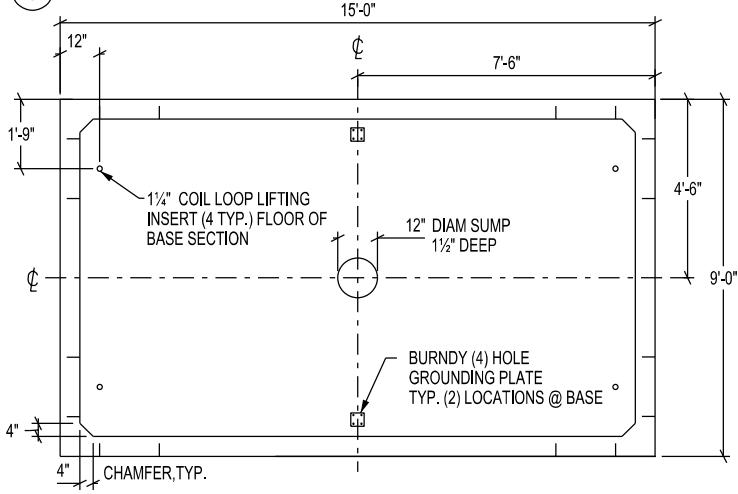
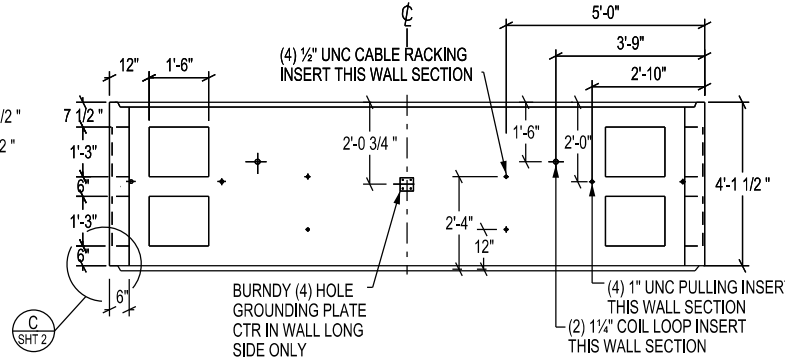


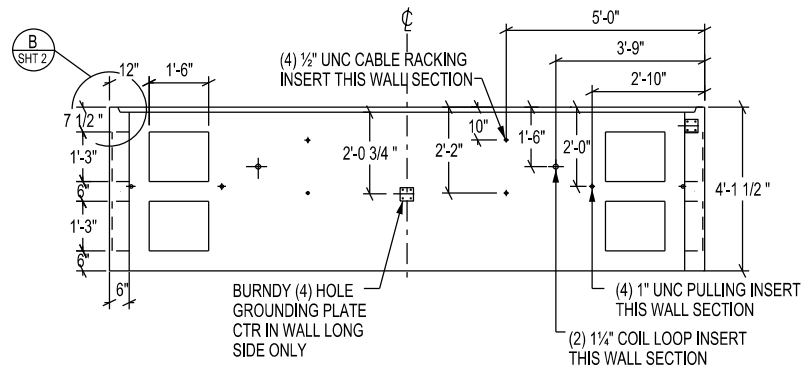
1 BASE SECTION



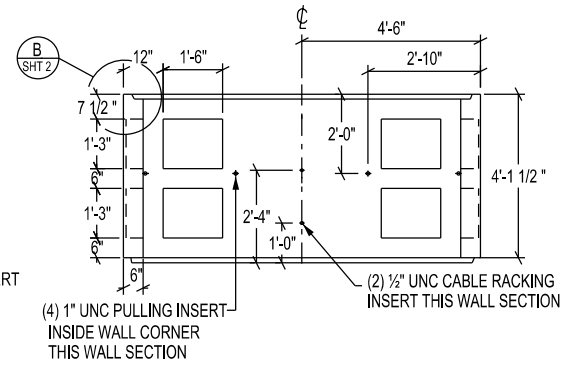
PLAN - BASE & WALLS



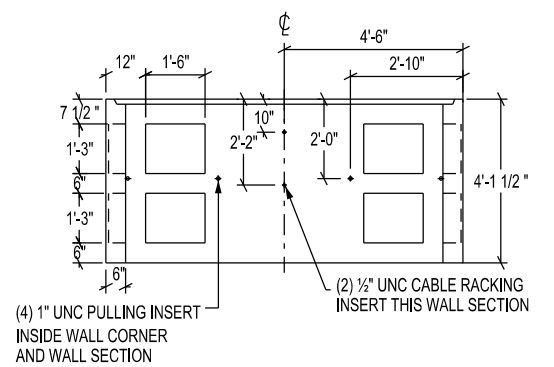
4 UPPER WALL SECTION



2 LOWER WALL SECTION



5 UPPER WALL SECTION



3 LOWER WALL SECTION

- 1. CONCRETE STRENGTH SHALL BE f'c 6000 PSI
- 2. ALL REBAR SHALL BE ASTM A615 GR. 60

PCC
Pre-Cast Concrete Company

11400 Lang Street
Anchorage, Ak, 99515
PH (907) 348- 6730 FAX (907) 348-6734

PROJECT:
8'-0 x 14'-0 VAULT

CUSTOMER:

SENT BY:
DANE SMULICK

DATE:

DWG:
1 OF 2