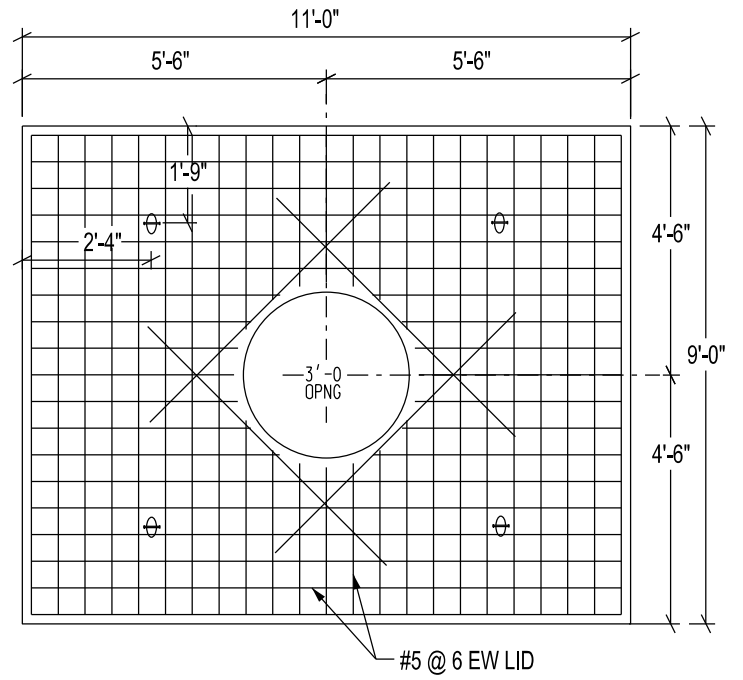
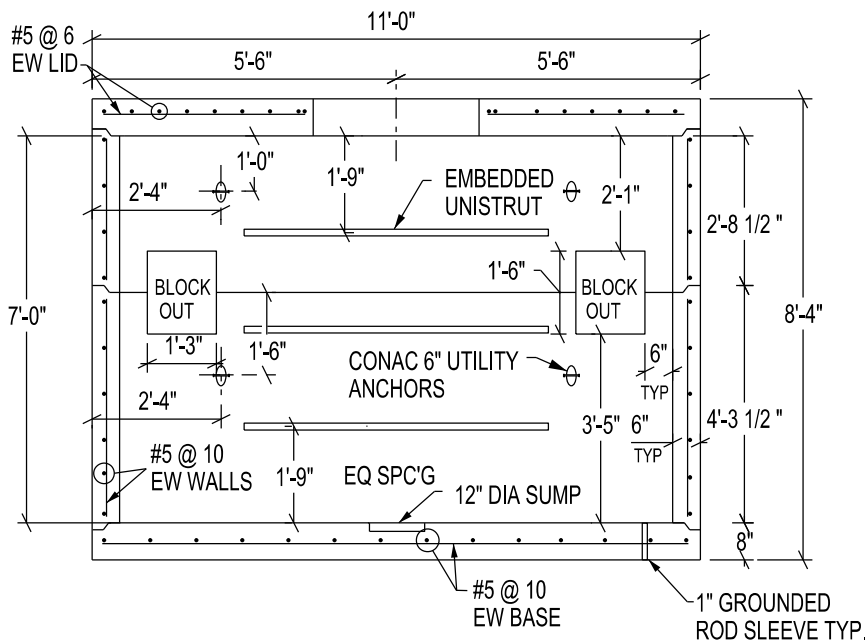


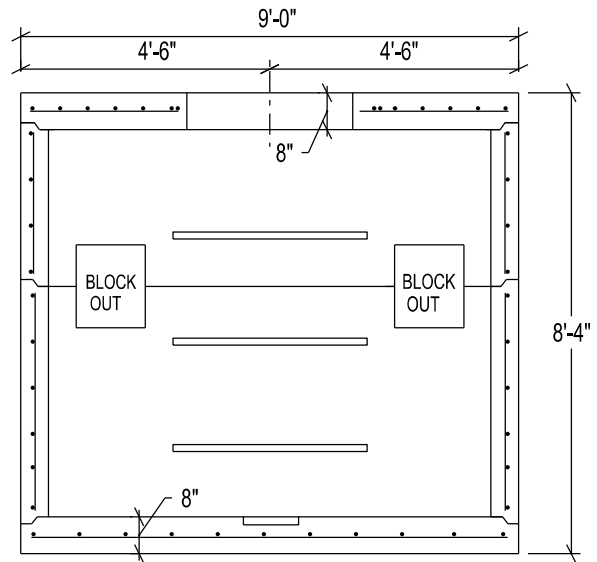
PLAN - BASE & WALLS



PLAN - LID



SECTION - LONG WAY



SECTION - SHORT WAY

NOTES:

1. ALL REBAR SHALL BE ASTM A615 GR. 60
2. LIFTING ANCHORS SHALL BE CONAC 6" A-ANCHOR INSERTS 6CA18, SWL 7500 LBS
3. CONCRETE SHALL BE $f_c = 5500$ PSI

PCC

Pre-Cast Concrete Company

11400 Lang Street
Anchorage, Ak, 99515
PH (907) 348- 6730 FAX (907) 348-6734

8'-0 x 10'-0 x 7'-0 TALL
CAPTURE VAULT

CUSTOMER

SENT BY:
DANE SMULICK

DATE:

SHT.

1 OF 1