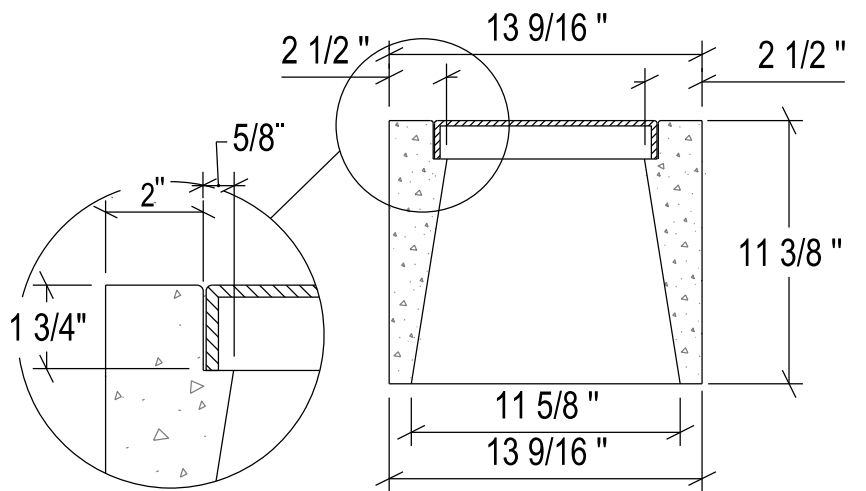
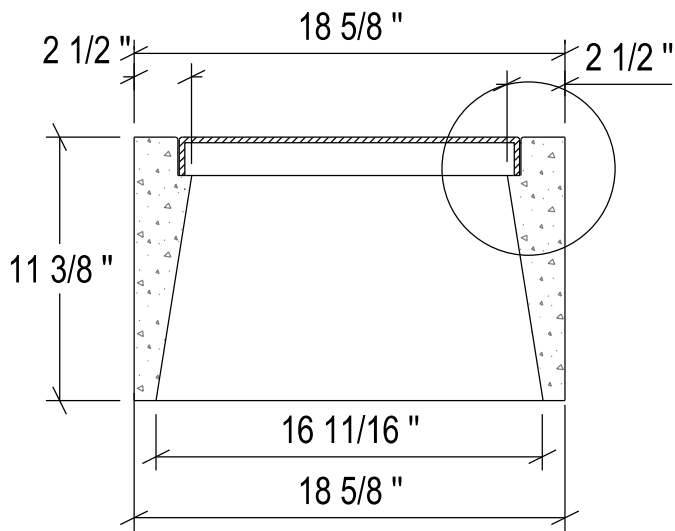


LID LABELING CHOICES

TRAFFIC, ELECTRIC, COMM, GROUND,
LIGHTING, WATER, SEWER, BLANK



NOTES:

- WGHT 125 LBS
- COVER 28 LBS
- CONCRETE 5000 PSI
- J BOX LID IFCO / CAST IRON

PCC

Pre-Cast Concrete Company

11400 Lang Street
Anchorage, Ak, 99515
PH (907) 348- 6730 FAX (907) 348-6734

TYPE 1 JUNCTION BOX

DWG DATE:
10/14/2014

REVISION DATE:

SENT BY:
DANE SMULICK

DATE:
3/5/2020

SHT.
1 OF 1