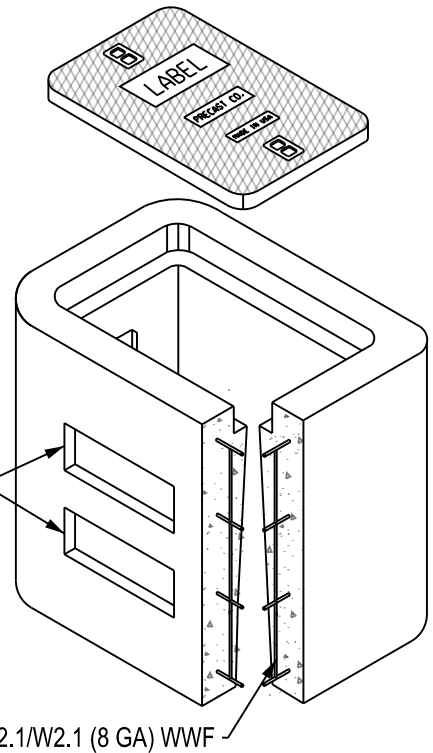
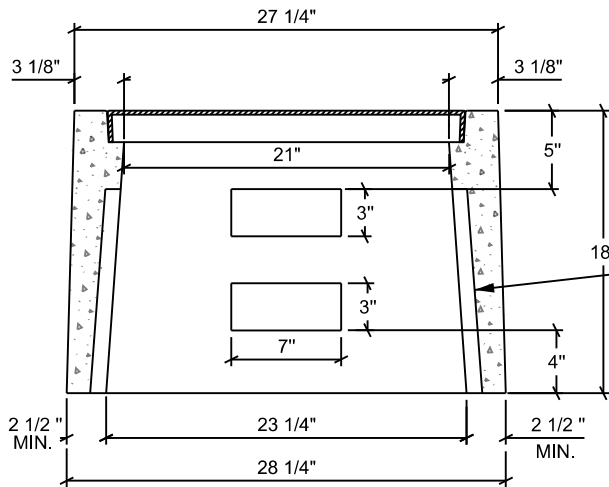


LID LABELING CHOICES
 TRAFFIC, ELECTRIC, COMM, GROUND,
 LIGHTING, WATER, SEWER, BLANK

(2) KNOCKOUTS CENTERED
 ON ONE SIDE 3"x 7"x 1 1/2"

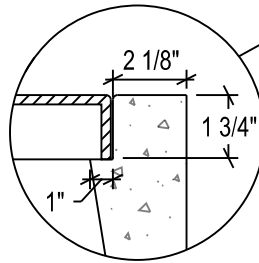


6x6-W2.1/W2.1 (8 GA) WWF

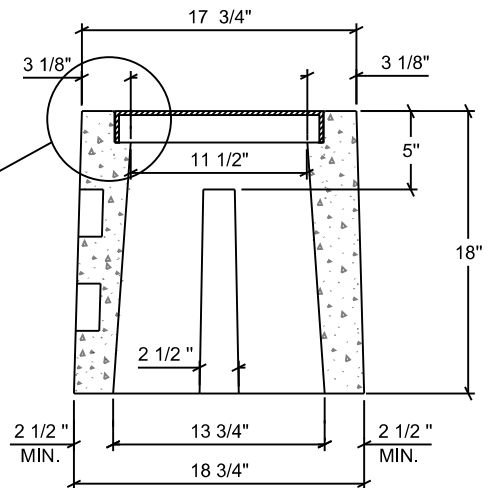


2 1/2" (ID) LIFING SLOTS
 1" DEEP (USED OF LIFTING J-BOX)
 EA END

A SECTION



DETAIL



B SECTION

NOTES:

- WGHT 340 LBS
- COVER 50 LBS
- CONCRETE 5000 PSI
- J BOX LID IFCO 2002 /CAST IRON
- REINFORCING
- 6x6-W2.1/W2.1 (8 GA) WWF
- PER ASTM A185

PCC

Pre-Cast Concrete Company

11400 Lang Street
 Anchorage, Ak, 99515
 PH (907) 348- 6730 FAX (907) 348-6734

TYPE 1A JUNCTION BOX

DWG DATE:
 10/14/2014

REVISION DATE:

SENT BY:

DATE:

SHT.

1 OF 1