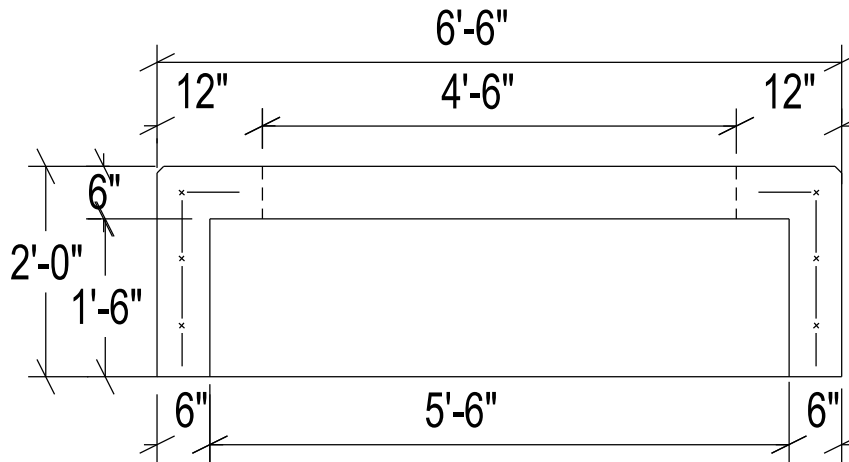


TOP VIEW



SECTION

NOTES:

- 1.) REINFORCED W/ 6x6-W2.9/W2.9 WWF
- 2.) 3/4" CHAMFER ALL EDGES
- 3.) WEIGHT = 5200 LBS
- 4.) CONCRETE f_c 6000 PSI DESIGN MIX

PCC

Pre-Cast Concrete Company

11400 Lang Street
Anchorage, Ak, 99515
PH (907) 348- 6730 FAX (907) 348-6734

PROJECT:

SUM1-B CONCRETE PAD

CONTRACTOR:

SENT BY:

C.P.

DATE:

7/29/2021

SHT.

1 OF 1