

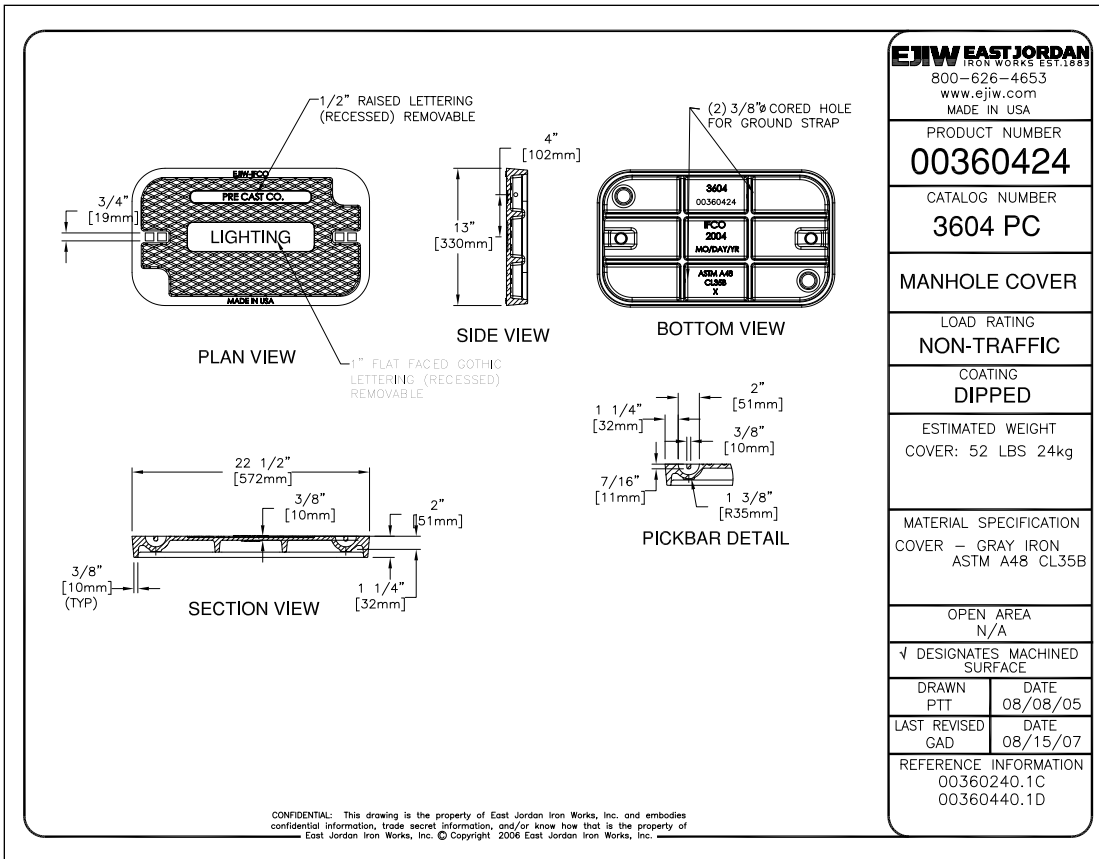
# AK DOT Type 1-A Junction Box Cover Precast Co. Lighting

0AK360400002



**00360424**

Quantity: 1



### Disclaimer

Weight (lbs./kg), dimensions (inches/mm) and drawings provided for your guidance. We reserve the right to modify specifications without prior notices

CONFIDENTIAL: This drawing is the property of EJ GROUP, Inc., and embodies confidential information, registered marks, patents, trade secret information, and/or know how that is the property of EJ GROUP, Inc. Copyright © 2012 EJ GROUP, Inc. All rights reserved

### Contact

800 626 4653  
ejco.com