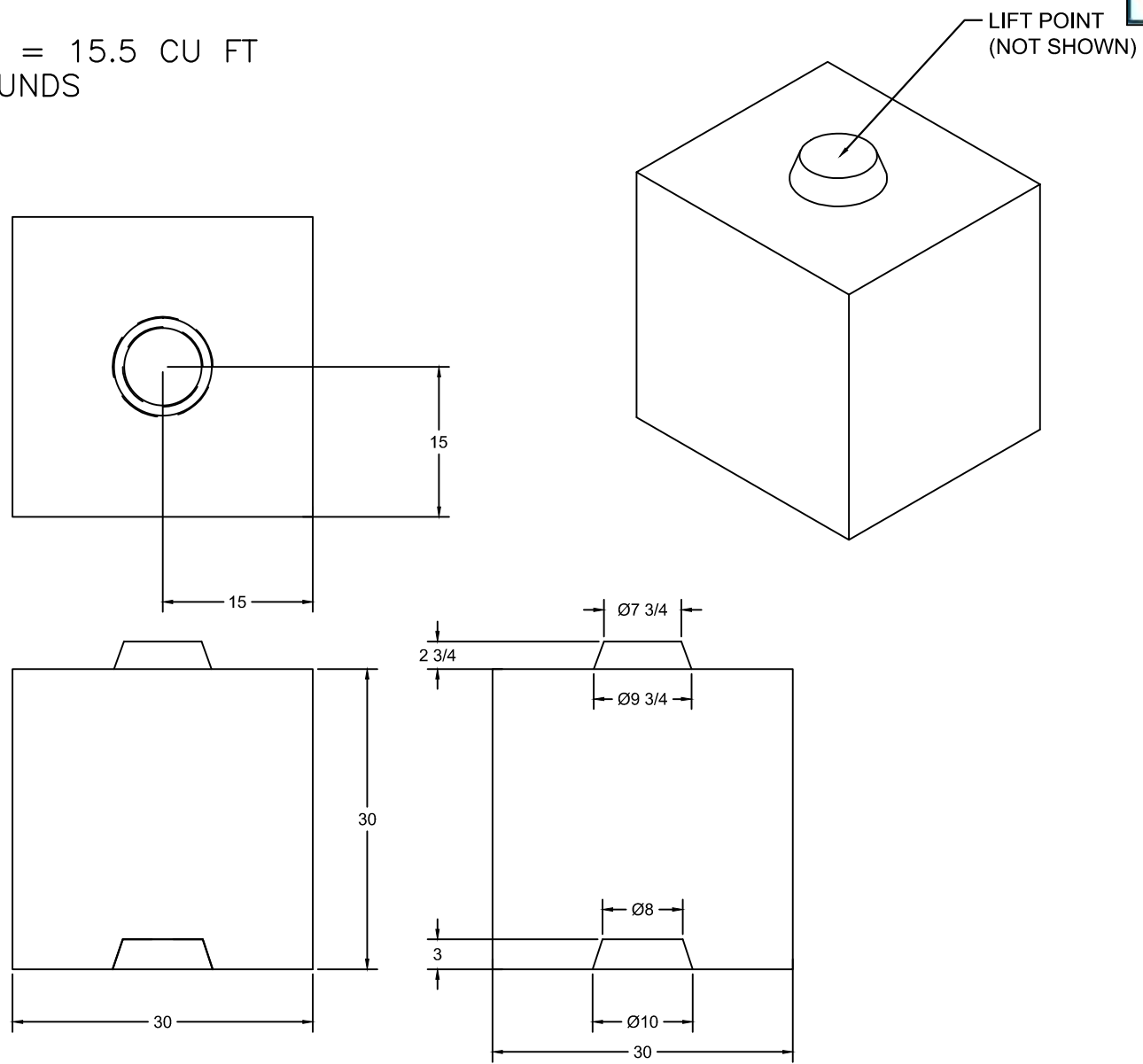




SPECIFICATIONS:  
CONCRETE REQUIRED = 15.5 CU FT  
WEIGHT = 2,325 POUNDS



Date	
Designed	PAUL DUCLOS 1-14-16
Drawn	
Checked	
Approved	

30"X30"X30" KNOB BLK

