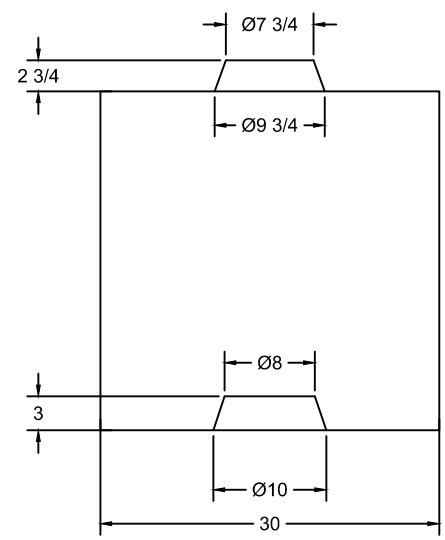
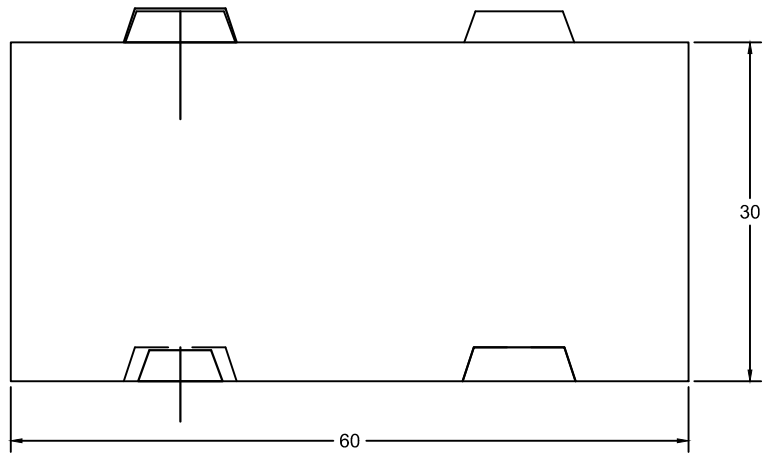
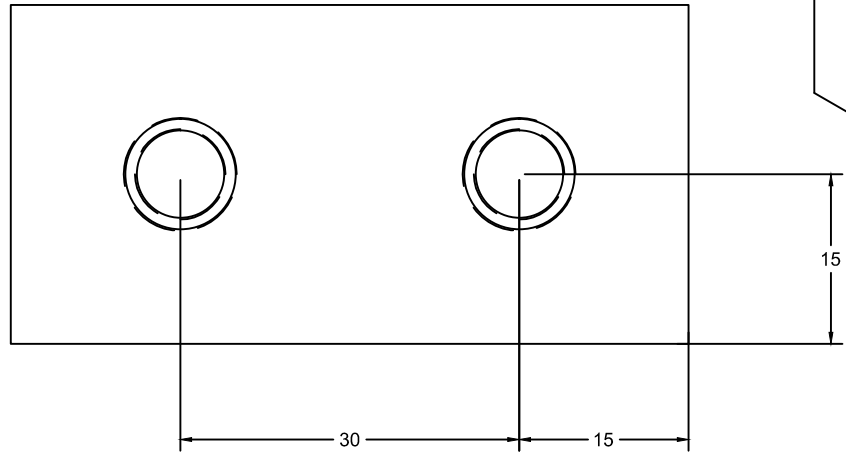
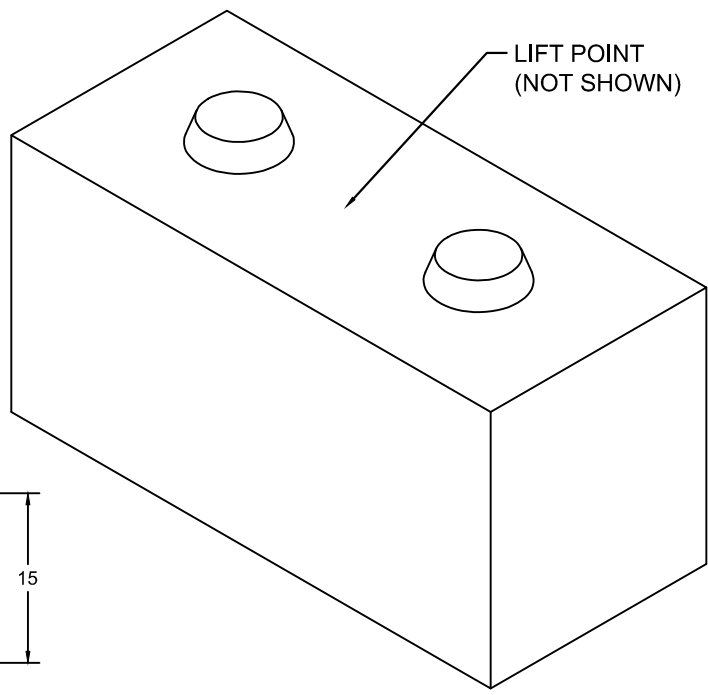




SPECIFICATIONS:
CONCRETE REQUIRED = 31 CU FT
WEIGHT = 4,650 POUNDS



Date	
Designed	PAUL DUCLOS 1-14-16
Drawn	
Checked	
Approved	

30"X30"X60" KNOB BLK

