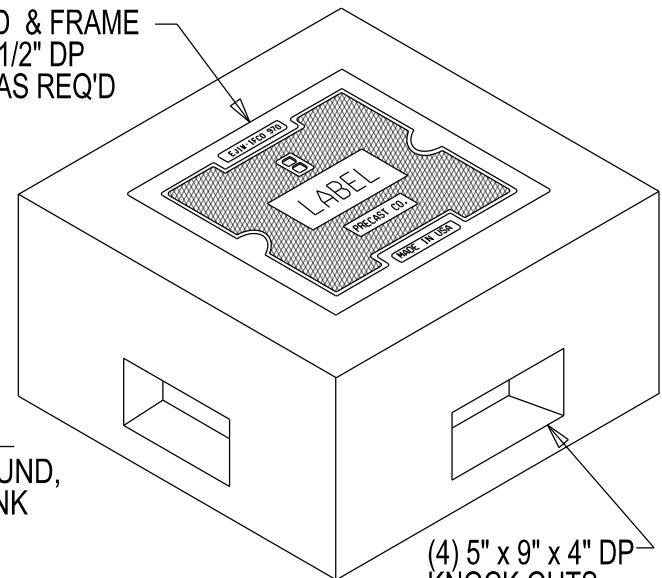


PLAN VIEW

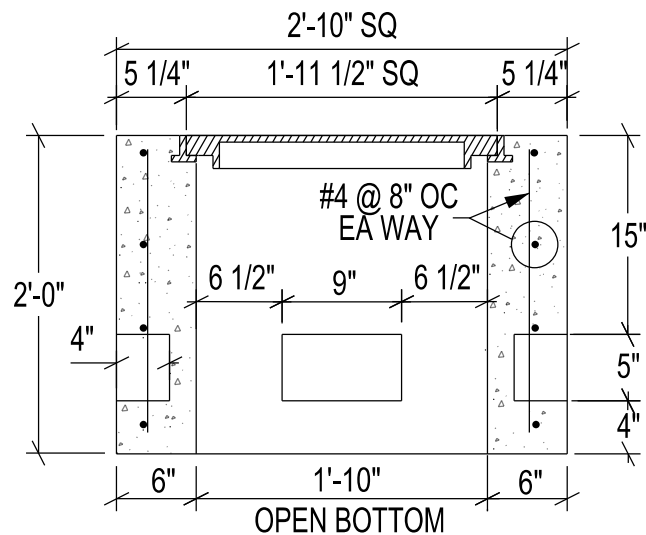
CAST IRON LID & FRAME
 23 1/2" SQ x 1 1/2" DP
 W/ LABELING AS REQ'D



(4) 5" x 9" x 4" DP
 KNOCK OUTS
 (1 CENTERED EA SIDE)

LID LABELING CHOICES

TRAFFIC, ELECTRIC, COMM, GROUND,
 LIGHTING, WATER, SEWER, BLANK



SECTION

NOTES:

- WGHT 1600 LBS
- COVER 114 LBS
- CONCRETE 5000 PSI
- J BOX LID EJIW IFCO/ 970 CAST IRON
- H20 TRAFFIC RATED
- (1) 1/2" DIAM. ZINC INSERT
- CTR ALL FOUR SIDES
- ALL REBAR SHALL BE ASTM A615 GR.60

PCC

Pre-Cast Concrete Company

11400 Lang Street
 Anchorage, Ak, 99515
 PH (907) 348- 6730 FAX (907) 348-6734

TYPE 2 JUNCTION BOX

SENT BY:

DWG DATE:

10/14/2014

REVISION DATE:

6/9/2021

DATE:

DWG NO.

1 OF 1