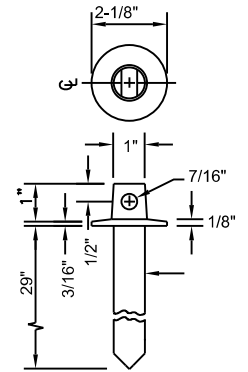
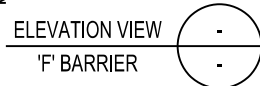
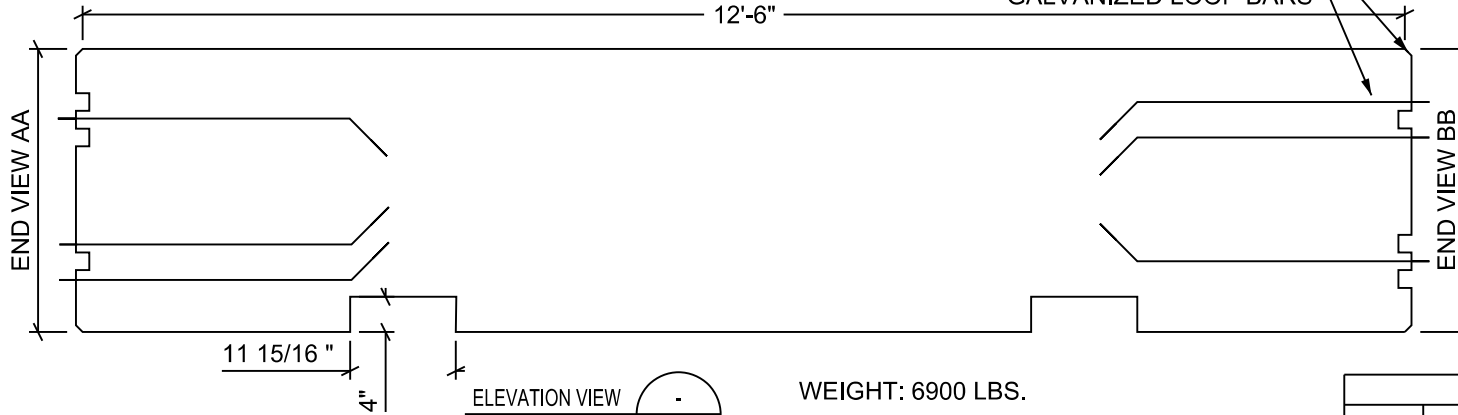


3/4" CHAMFER
3/4" DIAMETER (A36)
GALVANIZED LOOP BARS

1" dia pin galv. after fabrication,
conforming to ASTM A449.

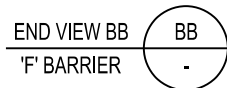
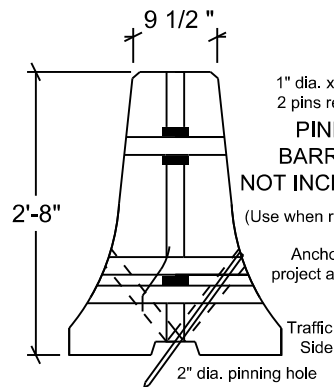
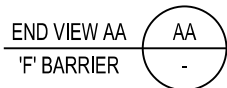
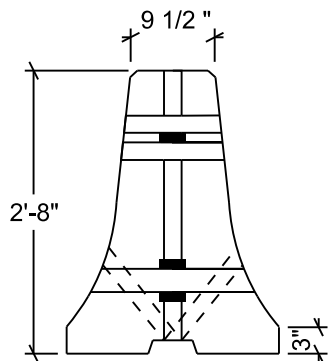


CONNECTING
PIN DETAIL
NOT
INCLUDED
WITH
BARRIER



WEIGHT: 6900 LBS.

REBAR & MESH					
BAR#	MARK	LENGTHS			
		QTY.	BEND	LENGTH	WEIGHT
#4		6			
#4		9			
#4		2			



(9) #4 BAR TIES

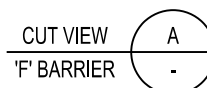
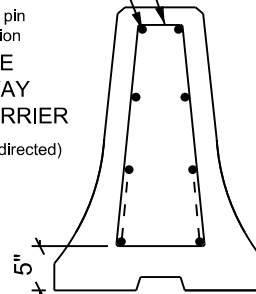
(8) #4 BAR

1" dia. x 30" galvanized anchor pin
2 pins required per barrier section
**PINNING CONCRETE
BARRIER TO ROADWAY
NOT INCLUDED WITH BARRIER**
(Use when required by plans or as directed)

Anchor Pin shall not
project above concrete
surface

Traffic
Side

2" dia. pinning hole



www.anchsand.com

PCC

Pre-Cast Concrete Company

11400 Lang Street
Anchorage, Ak, 99515
PH (907) 348- 6730
FAX (907) 348-6734

SCALE: NO SCALE

DRAWN BY: T.E.C.

DATE 6/25/2015

REVISED:

DOT TYPE "F" BARRIER