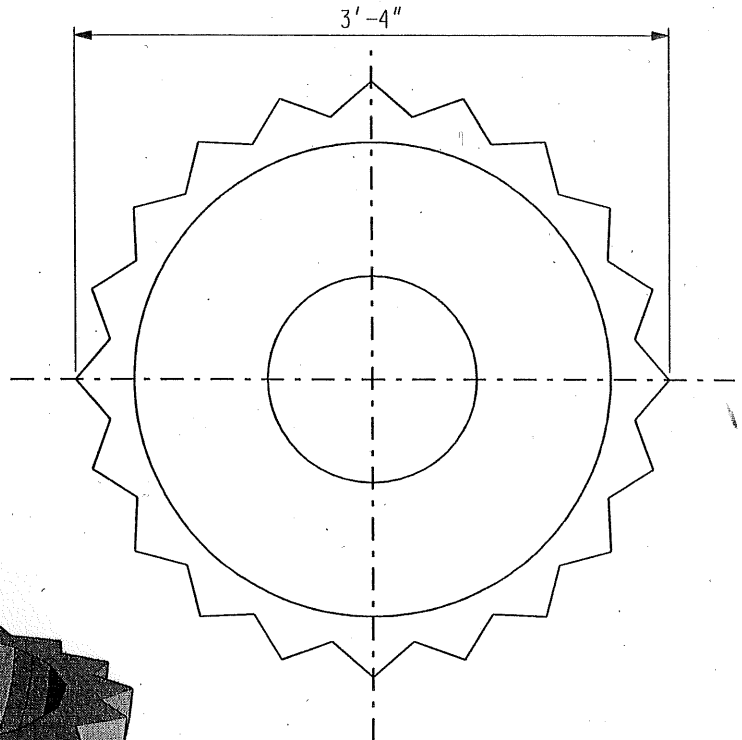
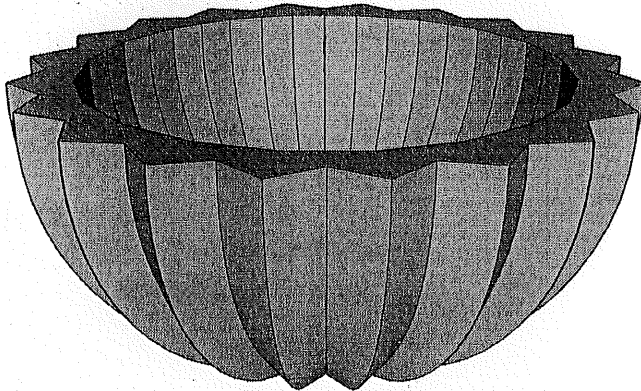


PRE-CAST CONCRETE CO.

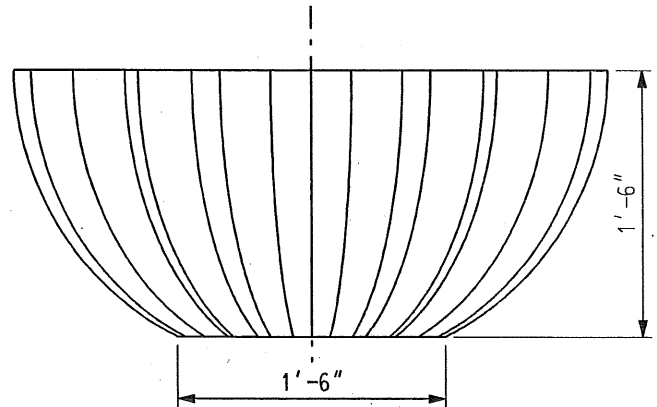
11360 LANG STREET
ANCHORAGE, AK. 99515

PH (907) 344-6449

FAX (907) 349-2213



PLAN VIEW



ELEVATION

PROJECT MEX 18 PLANTER

DATE

CONTRACTOR

SKETCH