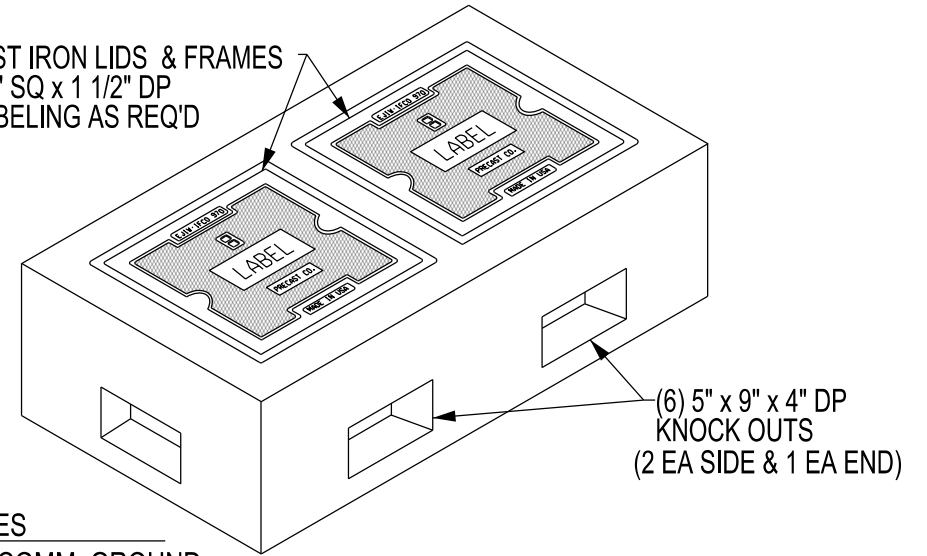
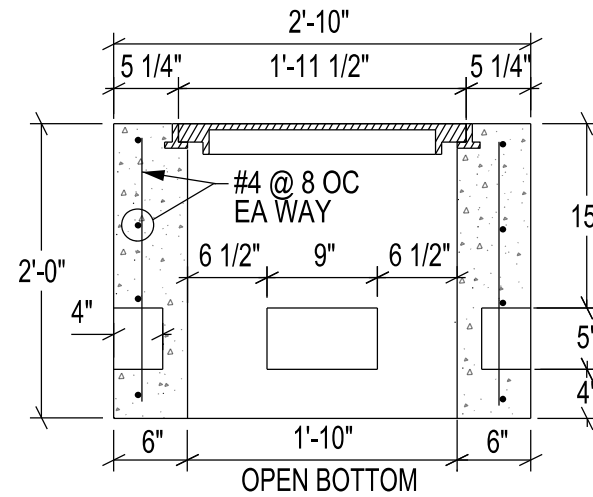
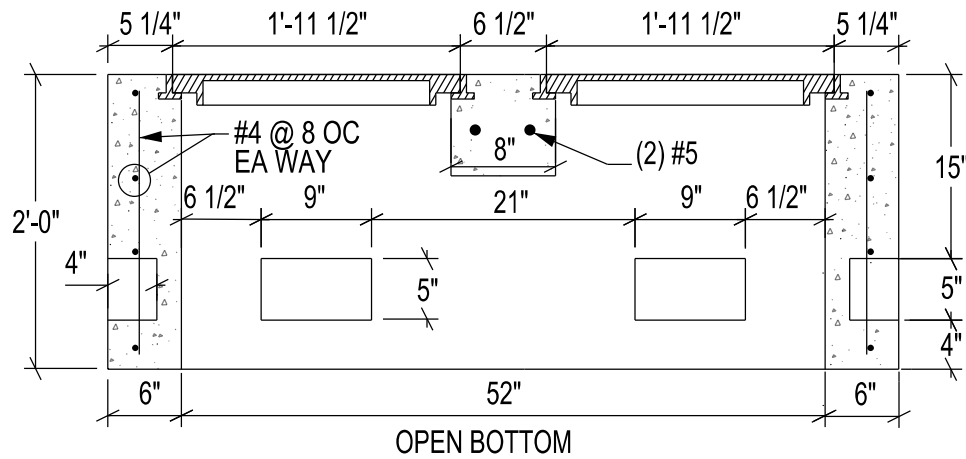


(2) CAST IRON LIDS & FRAMES
 23 1/2" SQ x 1 1/2" DP
 W/ LABELING AS REQ'D



LID LABELING CHOICES
 TRAFFIC, ELECTRIC, COMM, GROUND,
 LIGHTING, WATER, SEWER, BLANK



NOTES:

- WGHT 2800 LBS
- COVERS 228 LBS
- CONCRETE 5000 PSI
- J BOX LIDS EJIWIFCO 970
CAST IRON
- ALL REBAR SHALL BE ASTM
A615 GR.60

PCC

Pre-Cast Concrete Company

11400 Lang Street
 Anchorage, Ak, 99515
 PH (907) 348- 6730 FAX (907) 348-6734

TYPE 3 JUNCTION BOX

DWG DATE:
 10/14/2014

REVISION DATE:
 6/9/2021

SENT BY:

DATE: _____ DWG NO.
 _____ 1 OF 1